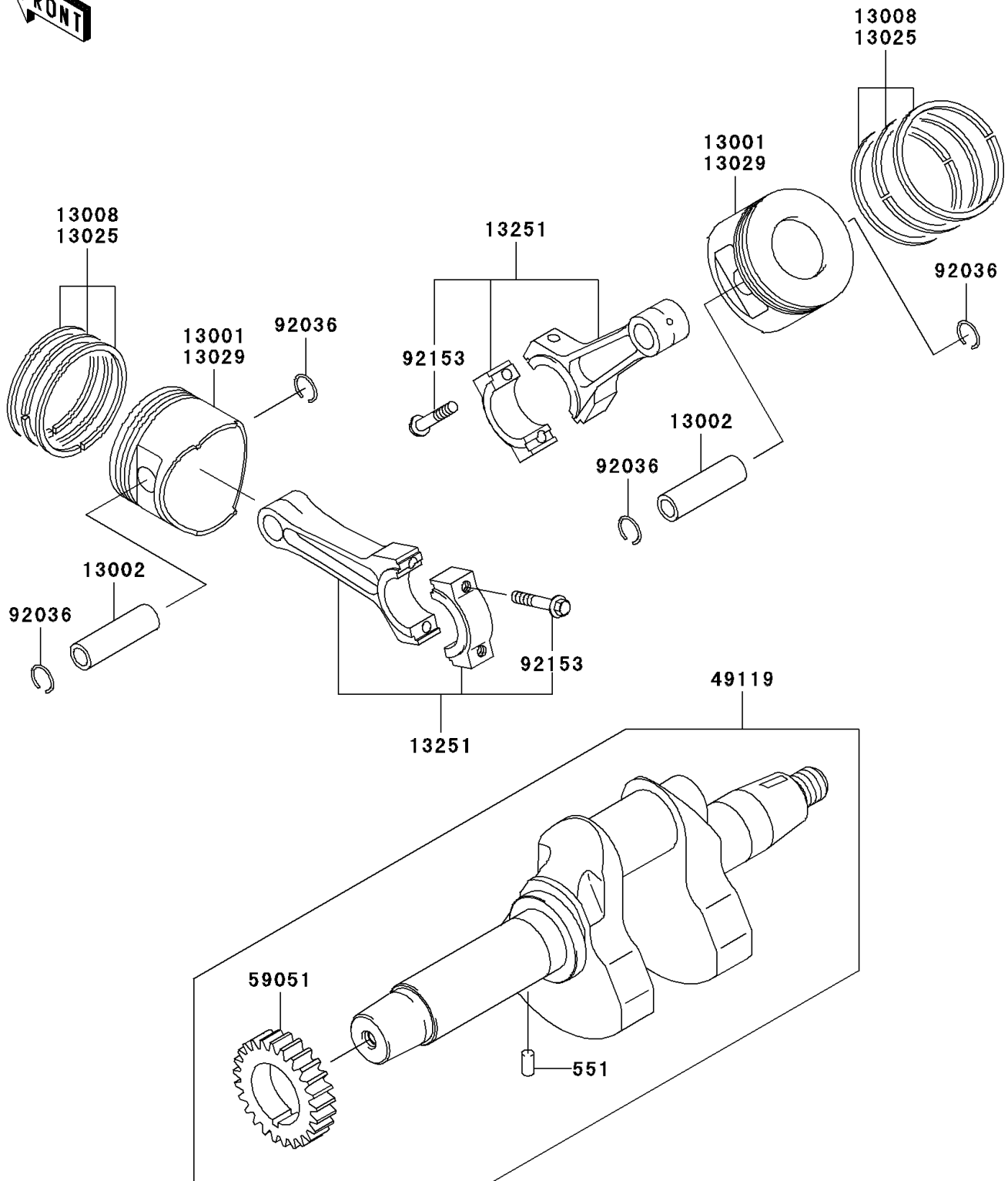


2008 Mule 3010 Trans4x4 Hardwoods Green HD

PARTS DIAGRAM Crankshaft/Piston(s)

E1320



2008 Mule 3010 Trans4x4 Hardwoods Green HD



PARTS LIST

Crankshaft/Piston(s)

ITEM NAME	PART NUMBER	QUANTITY
-----------	-------------	----------
