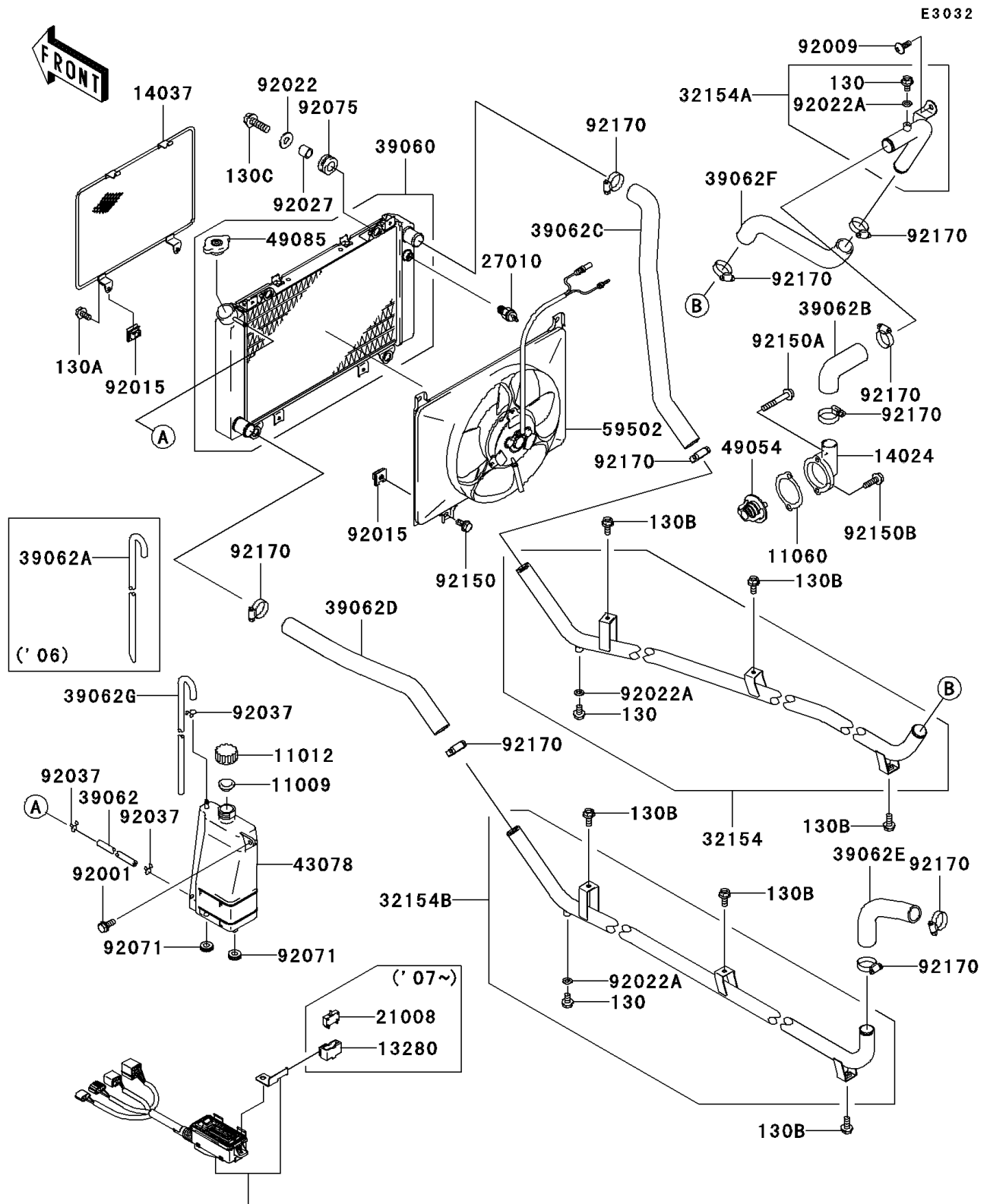


# Mule 3010 Trans4x4

## PARTS DIAGRAM

### Radiator



# Mule 3010 Trans4x4

## PARTS LIST

### Radiator

ITEM NAME	PART NUMBER	QUANTITY
BOLT-FLANGED,6X10 (Ref # 130)	130BB0610	3
BOLT-FLANGED,6X12 (Ref # 130A)	130BB0612	2
BOLT-FLANGED,6X14 (Ref # 130B)	130BB0614	6
GASKET,RESERVOIR TANK CAP (Ref # 11009)	11009-1145	1
CAP (Ref # 11012)	11012-1084	1
GASKET,THERMOSTAT COVER (Ref # 11060)	11060-2084	1
COVER,THERMOSTAT (Ref # 14024)	14024-2293	1
SCREEN (Ref # 14037)	14037-1284	1
SWITCH,FAN (Ref # 27010)	27010-1317	1
PIPE,RH FR (Ref # 32154)	32154-7503	1
PIPE,RH RR (Ref # 32154A)	32154-7505	1
PIPE,LH (Ref # 32154B)	32154-7507	1
RADIATOR (Ref # 39060)	39060-1187	1
HOSE-COOLING,5.5X10.5X600 (Ref # 39062)	39062-1829	1
HOSE-COOLING,DRAIN (Ref # 39062A)	39062-1830	1
HOSE-COOLING (Ref # 39062B)	39062-1832	1
HOSE-COOLING (Ref # 39062C)	39062-1834	1
HOSE-COOLING (Ref # 39062D)	39062-1835	1
HOSE-COOLING (Ref # 39062E)	39062-1836	1
HOSE-COOLING (Ref # 39062F)	39062-7502	1
RESERVOIR (Ref # 43078)	43078-1185	1
THERMOSTAT (Ref # 49054)	49054-2056	1
CAP-ASSY-PRESSURE (Ref # 49085)	49085-1066	1
FAN-ASSY (Ref # 59502)	59502-1137	1
BOLT,W/P,6X16 (Ref # 92001)	92001-1860	1
SCREW,TAPPING,6X16 (Ref # 92009)	92009-1166	1
NUT (Ref # 92015)	92015-1487	6
WASHER,8.5X20X1.6,BLACK (Ref # 92022)	92022-1317	4
WASHER,6.2X11X1 (Ref # 92022A)	92022-304	3

# Mule 3010 Trans4x4

## PARTS LIST

### Radiator

ITEM NAME	PART NUMBER	QUANTITY
COLLAR,8.8X12X10.7 (Ref # 92027)	92027-102	4
CLAMP,TUBE (Ref # 92037)	92037-147	3
GROMMET (Ref # 92071)	92071-1115	2
DAMPER (Ref # 92075)	92075-294	4
BOLT,6X12 (Ref # 92150)	92150-1186	4
BOLT,6X40 (Ref # 92150A)	92150-2230	1
BOLT,6X20 (Ref # 92150B)	92150-2231	1
CLAMP,COOLING HOSE (Ref # 92170)	92170-1284	10
BOLT-FLANGED,8X25 (Ref # 130C)	130BB0825	4