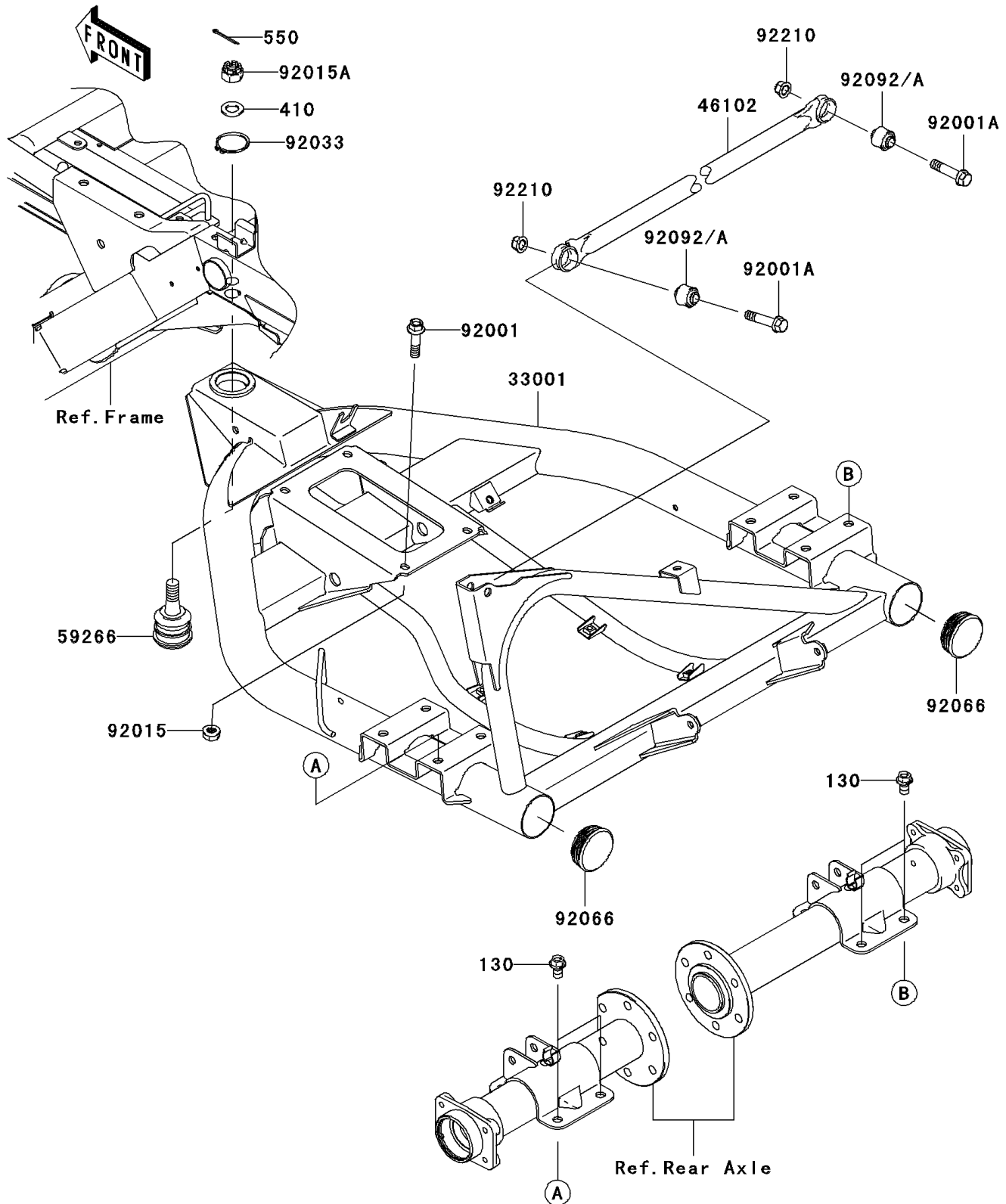


# 2009 Mule 610 4x4 Hardwoods Green HD

## PARTS DIAGRAM

### Swingarm

F2141



# 2009 Mule 610 4x4 Hardwoods Green HD



## PARTS LIST

### Swingarm

ITEM NAME	PART NUMBER	QUANTITY
-----------	-------------	----------

---