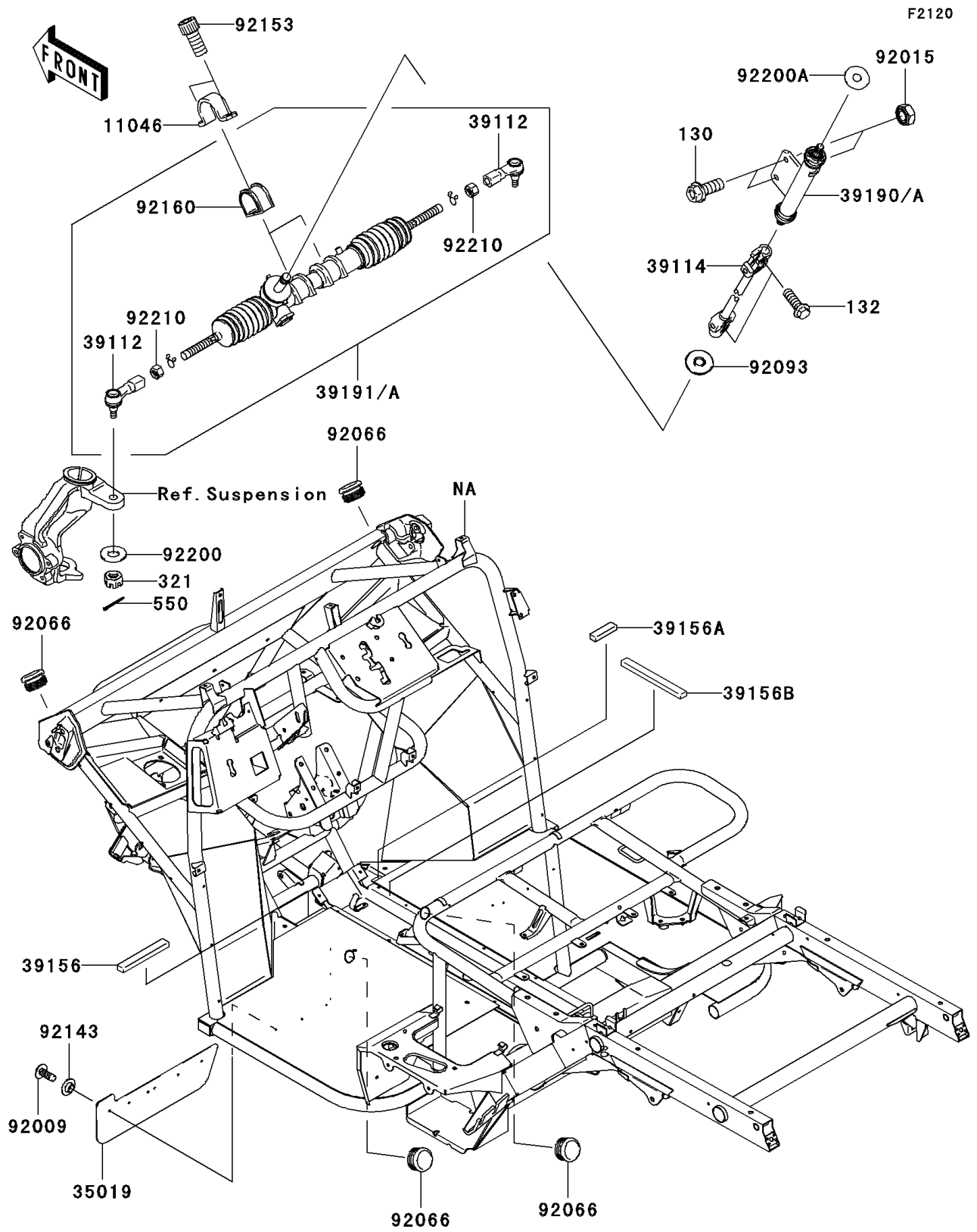


# 2010 Mule 610 4x4

## PARTS DIAGRAM

### Frame



# 2010 Mule 610 4x4

## PARTS LIST

Frame

**ITEM NAME**

**PART NUMBER**

**QUANTITY**

---