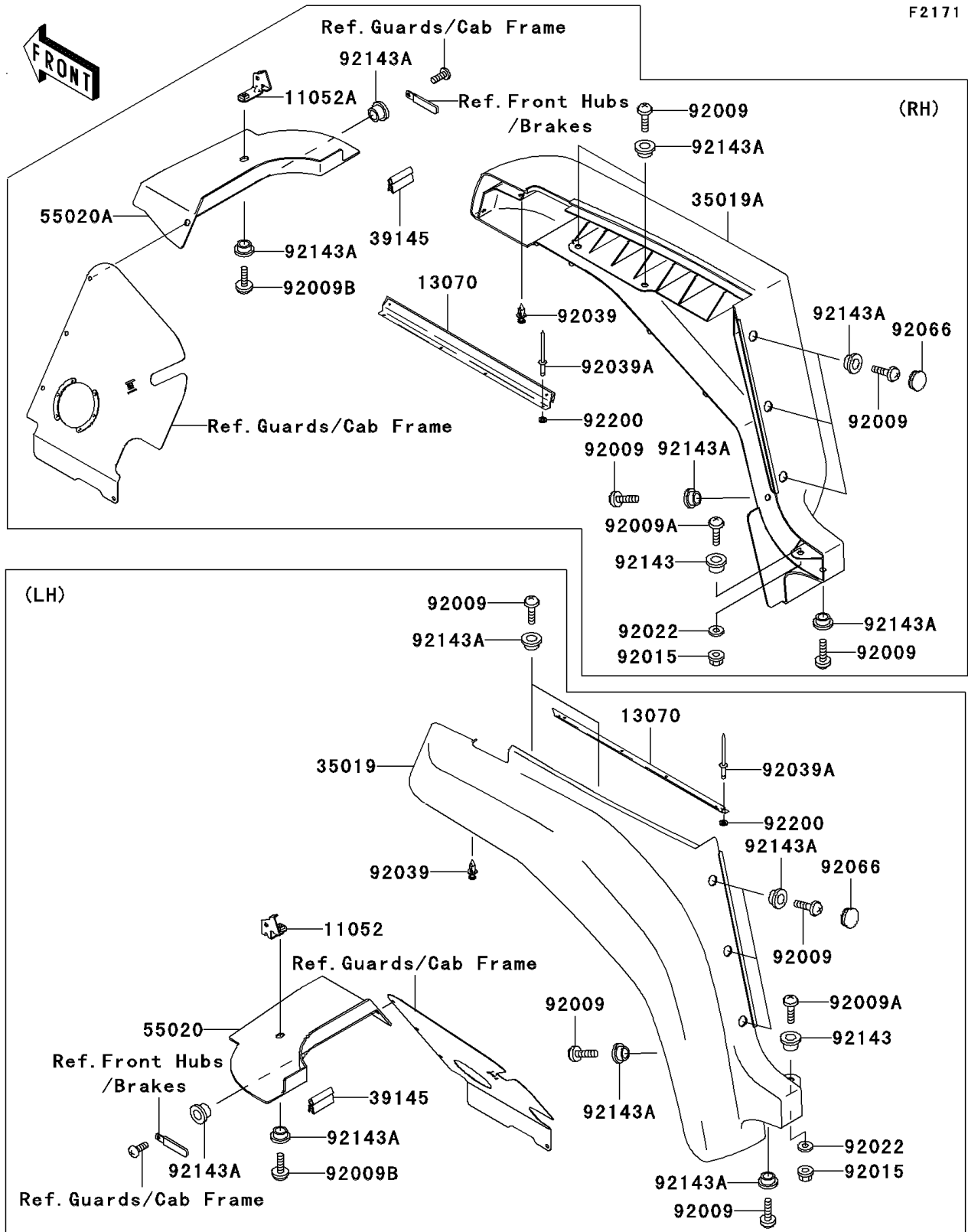


# 2008 Mule 3010 4X4

## PARTS DIAGRAM

### Front Fender(s)



# 2008 Mule 3010 4X4

## PARTS LIST

Front Fender(s)

**ITEM NAME**

**PART NUMBER**

**QUANTITY**

---