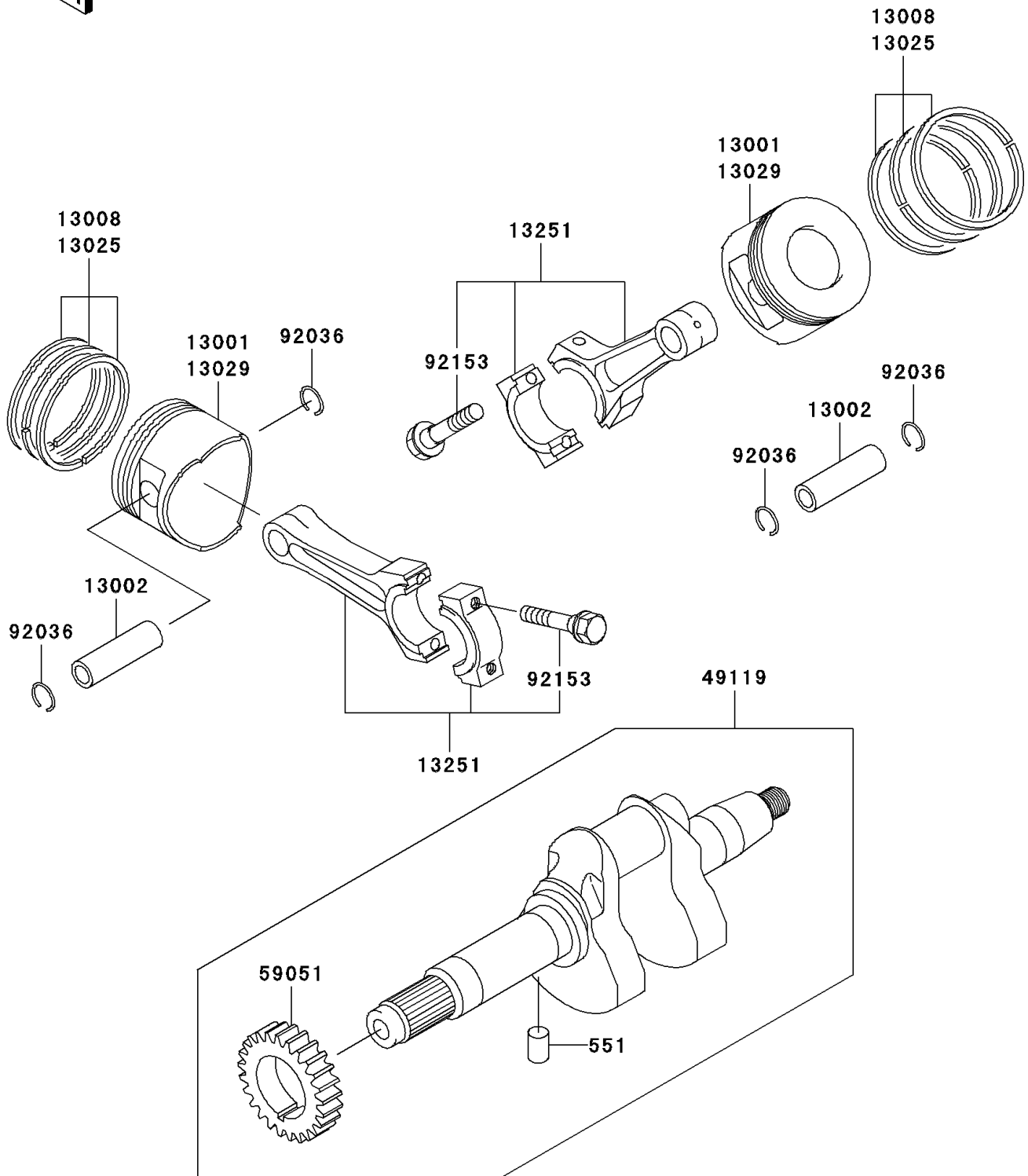


# 2008 Mule 3010 4x4 Hardwoods Green HD

## PARTS DIAGRAM Crankshaft/Piston(s)

E1320



# 2008 Mule 3010 4x4 Hardwoods Green HD



## PARTS LIST

Crankshaft/Piston(s)

ITEM NAME	PART NUMBER	QUANTITY
-----------	-------------	----------

---