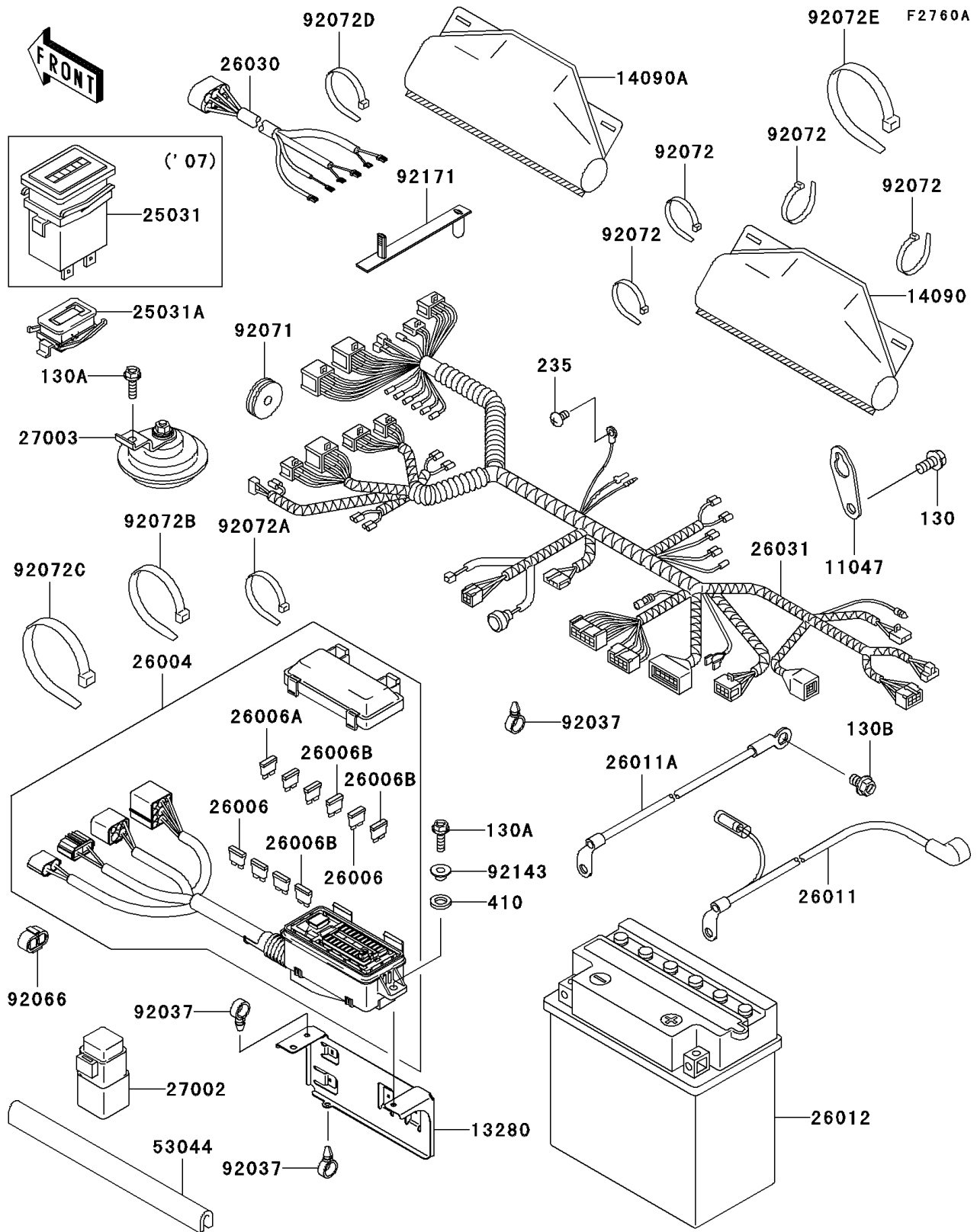


# 2008 Mule 3000

## PARTS DIAGRAM

### Chassis Electrical Equipment(G7F/G8F)



# 2008 Mule 3000

## PARTS LIST

Chassis Electrical Equipment(G7F/G8F)

**ITEM NAME**

**PART NUMBER**

**QUANTITY**

---