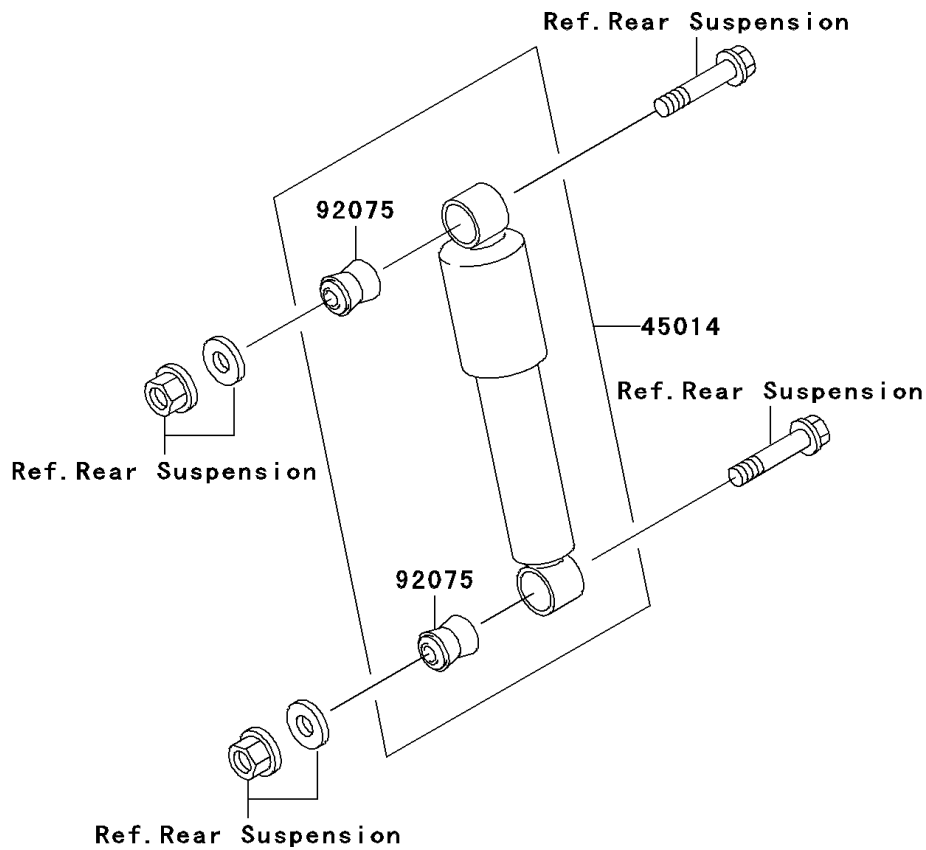
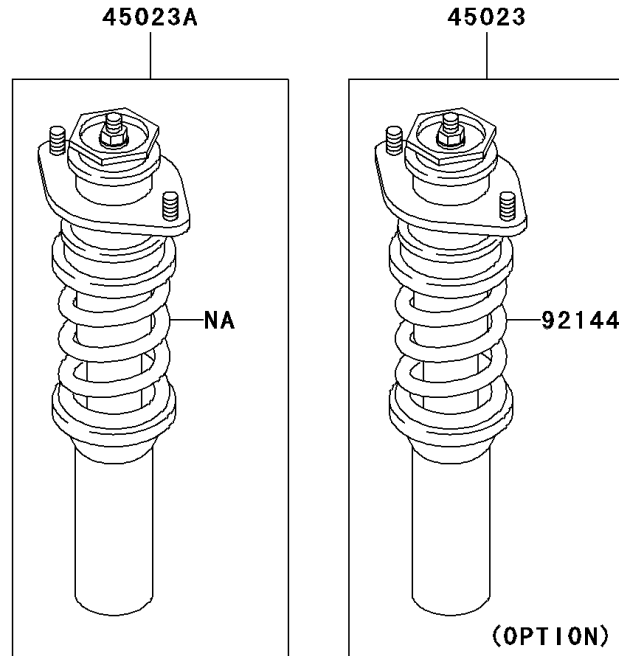


# 2008 Mule 3000

## PARTS DIAGRAM

### Shock Absorber(s)

F2280



# 2008 Mule 3000

## PARTS LIST

### Shock Absorber(s)

ITEM NAME	PART NUMBER	QUANTITY
SHOCKABSORBER,RR (Ref # 45014)	45014-1435	2
STRUT,FR,K=3.13 (Ref # 45023)	45023-1006	2
STRUT,FR,K=1.95 (Ref # 45023A)	45023-1013	2
DAMPER,SHOCKABSORBER (Ref # 92075)	92075-1784	4
SPRING,STRUT,K=30.7N/MM (Ref # 92144)	92144-1919	2