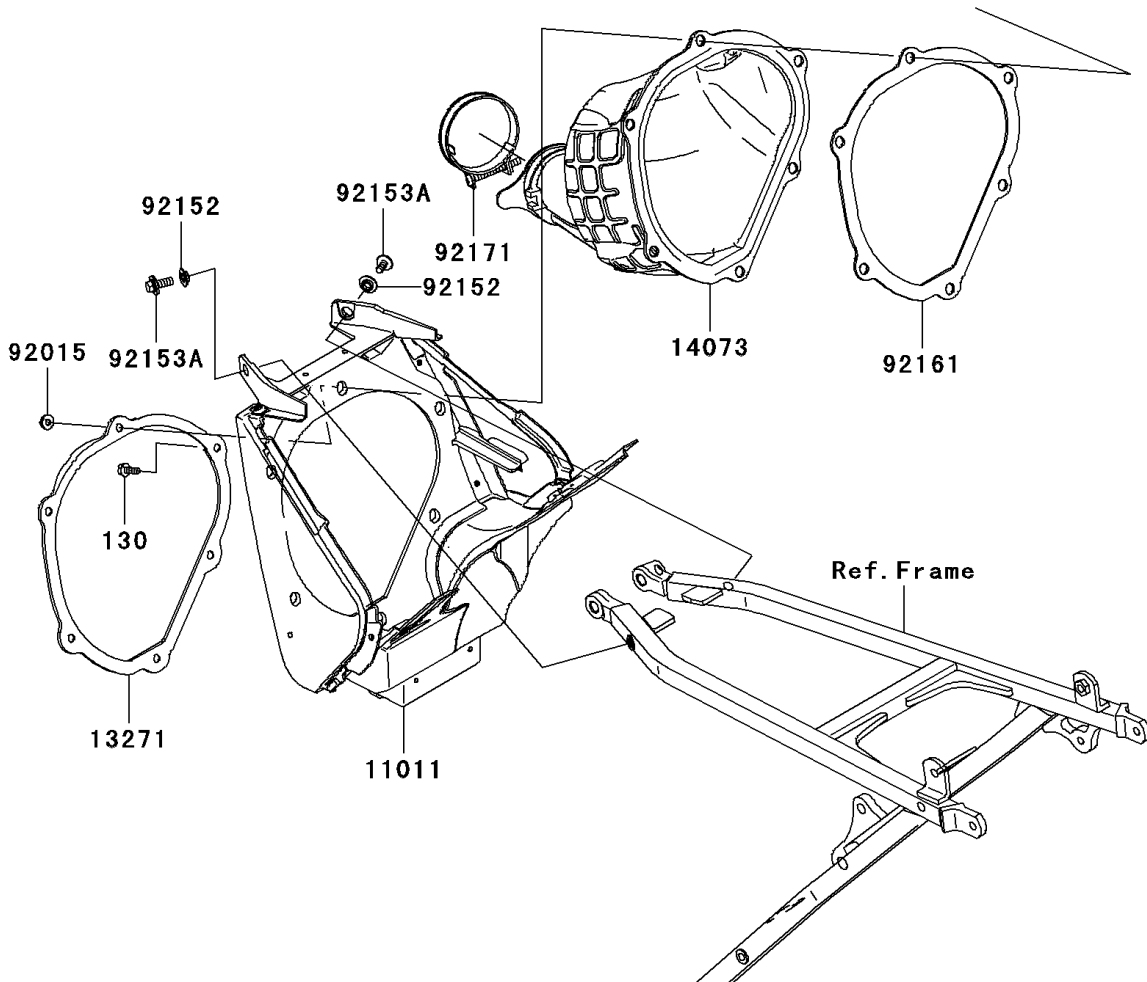
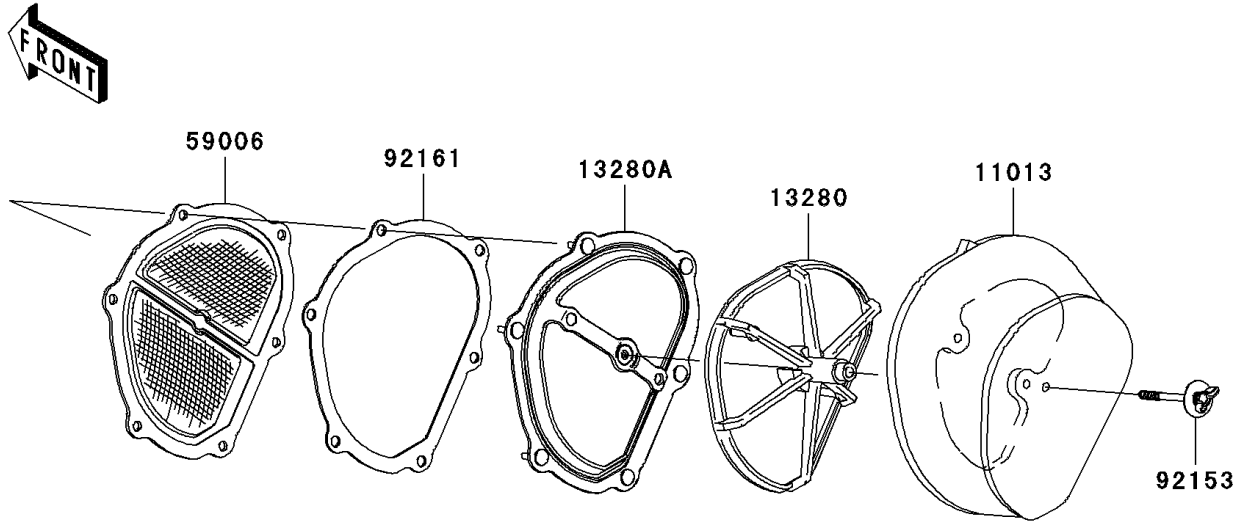


2008 KX™ 250F

PARTS DIAGRAM

Air Cleaner

E1130



2008 KX™ 250F

PARTS LIST

Air Cleaner

ITEM NAME	PART NUMBER	QUANTITY
BOLT-FLANGED,5X12 (Ref # 130)	130G0512	1
CASE-AIR FILTER,F.BLACK (Ref # 11011)	11011-0055-6Z	1
ELEMENT-AIR FILTER (Ref # 11013)	11013-0011	1
PLATE,DUCT FITTING (Ref # 13271)	13271-0730	1
HOLDER,ELEMENT (Ref # 13280)	13280-0108	1
HOLDER (Ref # 13280A)	13280-0170	1
DUCT,FUNNEL (Ref # 14073)	14073-0139	1
ARRESTER-FLAME (Ref # 59006)	59006-0011	1
NUT,FLANGED,5MM (Ref # 92015)	92015-1259	5
COLLAR (Ref # 92152)	92152-0275	2
BOLT,6X75 (Ref # 92153)	92153-0623	1
BOLT,6X16 (Ref # 92153A)	92153-0863	2
DAMPER (Ref # 92161)	92161-0213	2
CLAMP,DUCT,62MM (Ref # 92171)	92171-0651	1