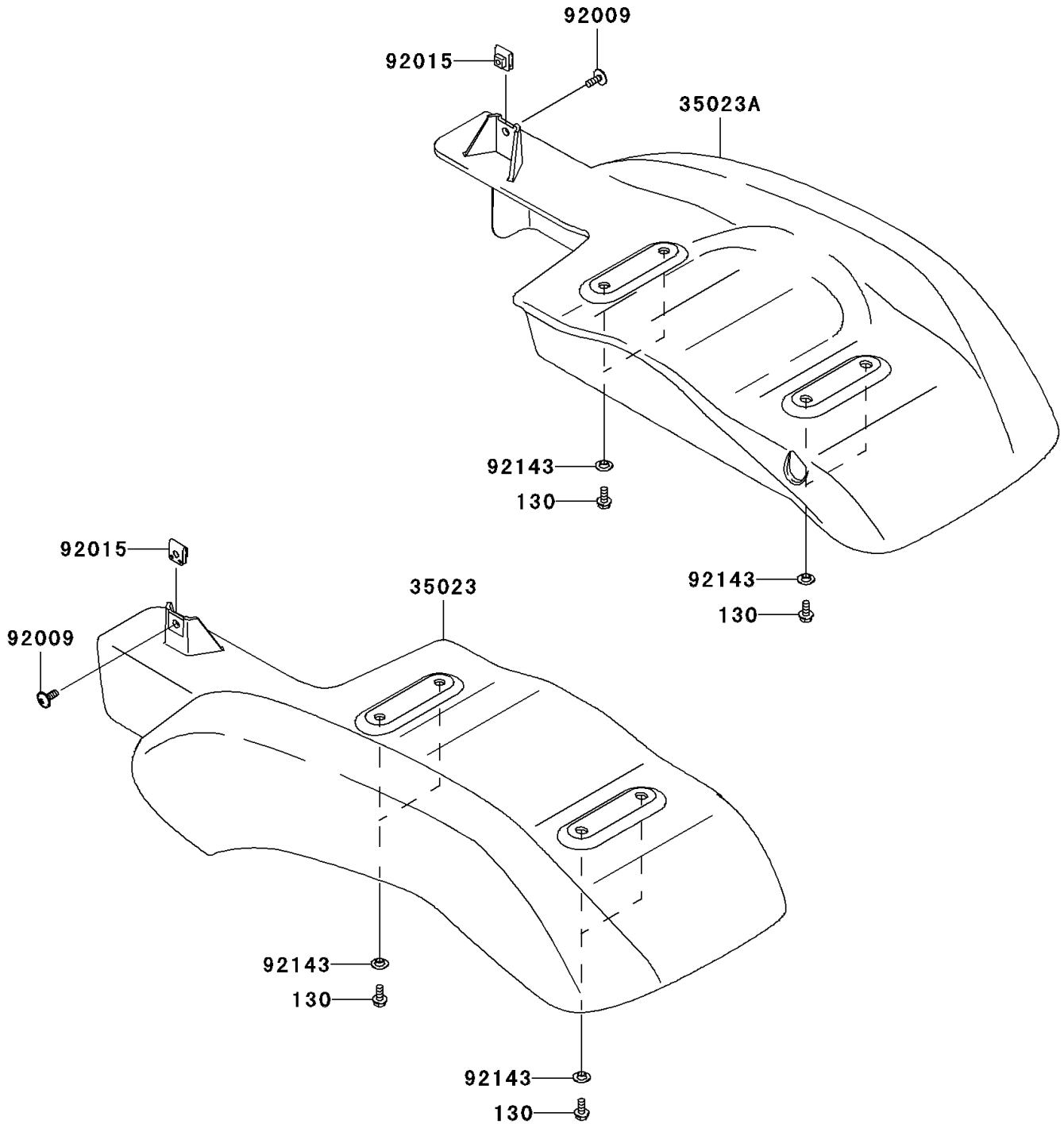


Mule 610 4x4

PARTS DIAGRAM

Rear Fender(s)

F2172



Mule 610 4x4

PARTS LIST

Rear Fender(s)

ITEM NAME	PART NUMBER	QUANTITY
BOLT-FLANGED,6X14 (Ref # 130)	130J0614	8
FENDER-REAR,LH,BLACK (Ref # 35023)	35023-0045-283	1
FENDER-REAR,RH,BLACK (Ref # 35023A)	35023-0046-283	1
SCREW,6X16 (Ref # 92009)	92009-1621	2
NUT,CLAMP,6MM (Ref # 92015)	92015-1678	2
COLLAR (Ref # 92143)	92143-1087	8