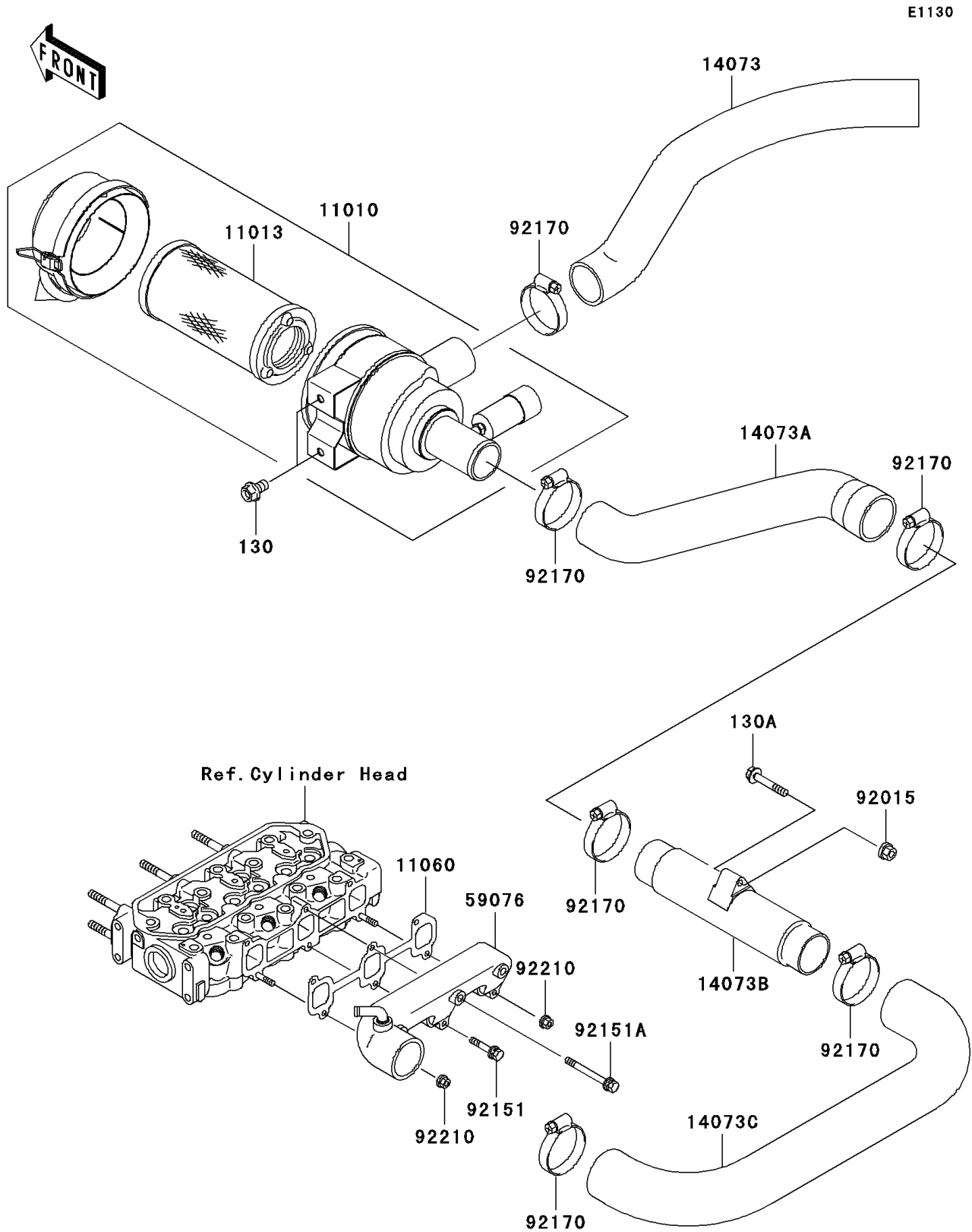


# Mule 3010 Diesel 4X4

## PARTS DIAGRAM

### Air Cleaner



# Mule 3010 Diesel 4X4

## PARTS LIST

### Air Cleaner

| ITEM NAME                              | PART NUMBER | QUANTITY |
|--|-------------|----------|
| BOLT-FLANGED,8X14 (Ref # 130)          | 130J0814    | 2        |
| BOLT-FLANGED (Ref # 130A)              | 130L0635    | 1        |
| FILTER-ASSY-AIR (Ref # 11010)          | 11010-1689  | 1        |
| ELEMENT-AIR FILTER (Ref # 11013)       | 11013-1290  | 1        |
| GASKET,INTAKE MANIFOLD (Ref # 11060)   | 11060-1960  | 1        |
| DUCT,AIR CLEANER,INLET (Ref # 14073)   | 14073-1752  | 1        |
| DUCT,AIR CLEANER,OUTLET (Ref # 14073A) | 14073-1753  | 1        |
| DUCT,AIR CLEANER,OUTLET (Ref # 14073B) | 14073-1754  | 1        |
| DUCT,ENGINE,INLET (Ref # 14073C)       | 14073-1755  | 1        |
| MANIFOLD-INTAKE (Ref # 59076)          | 59076-1112  | 1        |
| NUT,LOCK,FLANGED,6MM (Ref # 92015)     | 92015-1675  | 1        |
| BOLT,6X20 (Ref # 92151)                | 92151-1667  | 1        |
| BOLT,6X60 (Ref # 92151A)               | 92151-1695  | 3        |
| CLAMP (Ref # 92170)                    | 92170-1338  | 6        |
| NUT,6MM (Ref # 92210)                  | 92210-1210  | 2        |