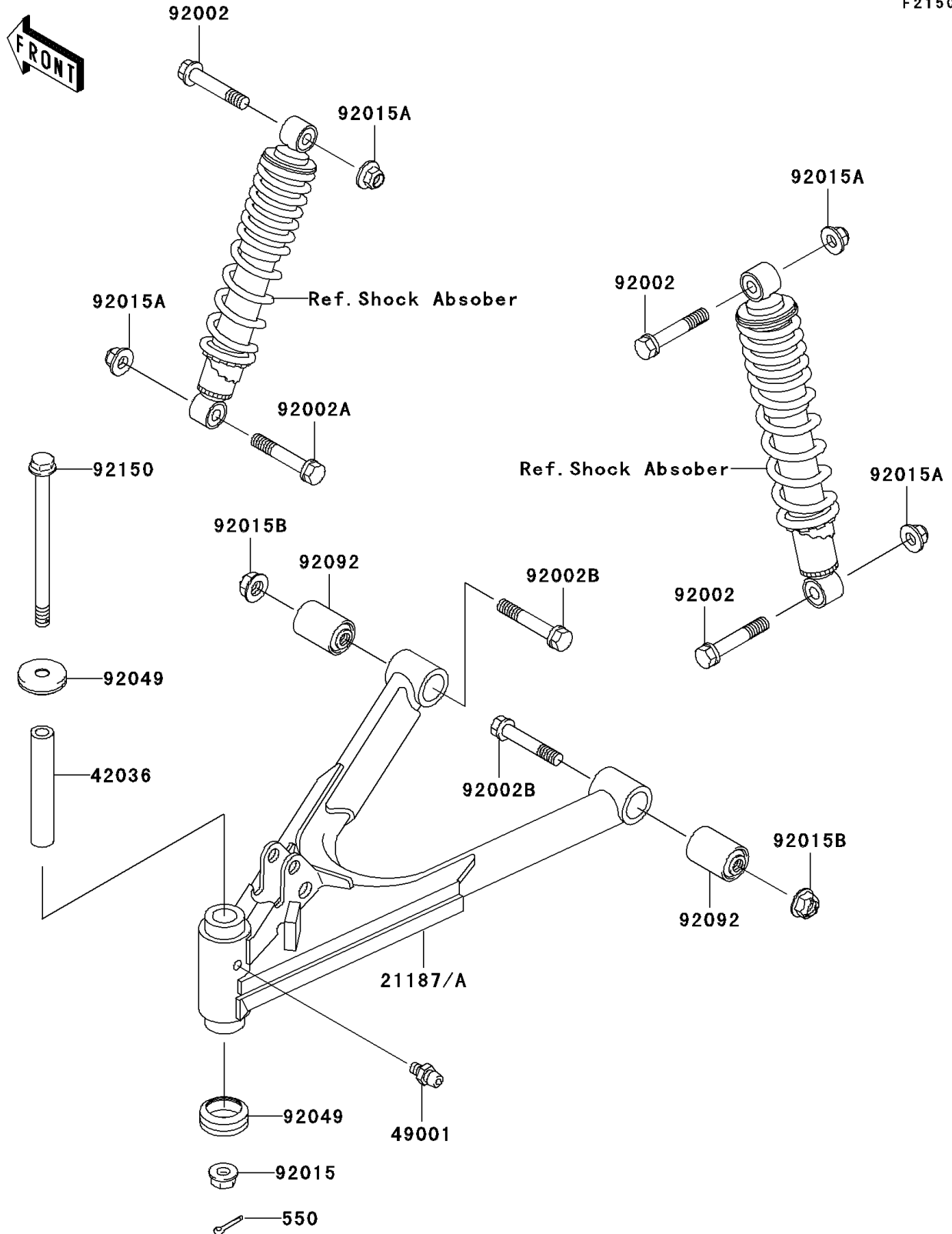


Mule 550

PARTS DIAGRAM

Suspension

F2150



Mule 550

PARTS LIST

Suspension

ITEM NAME	PART NUMBER	QUANTITY
PIN-COTTER,2.0X22 (Ref # 550)	550D2022	2
ARM-ASSY,SUSPENSION,FR,RH (Ref # 21187)	21187-1083	1
ARM-ASSY,SUSPENSION,FR,LH (Ref # 21187A)	21187-1084	1
SLEEVE,12X18X120.6 (Ref # 42036)	42036-1333	2
NIPPLE-GREASE (Ref # 49001)	49001-0001	2
BOLT,FLANGED,10X53.5 (Ref # 92002)	92002-1529	6
BOLT,FLANGED,10X42 (Ref # 92002A)	92002-1545	2
BOLT,ROD,12MM (Ref # 92002B)	92002-1757	4
NUT,FLANGED,12MM (Ref # 92015)	92015-1433	2
NUT,LOCK,10MM (Ref # 92015A)	92015-1597	8
NUT,12MM (Ref # 92015B)	92015-1706	4
SEAL-OIL (Ref # 92049)	92049-1371	4
BUSHING-RUBBER (Ref # 92092)	92092-005	4
BOLT,FLANGED,12X170 (Ref # 92150)	92150-1437	2