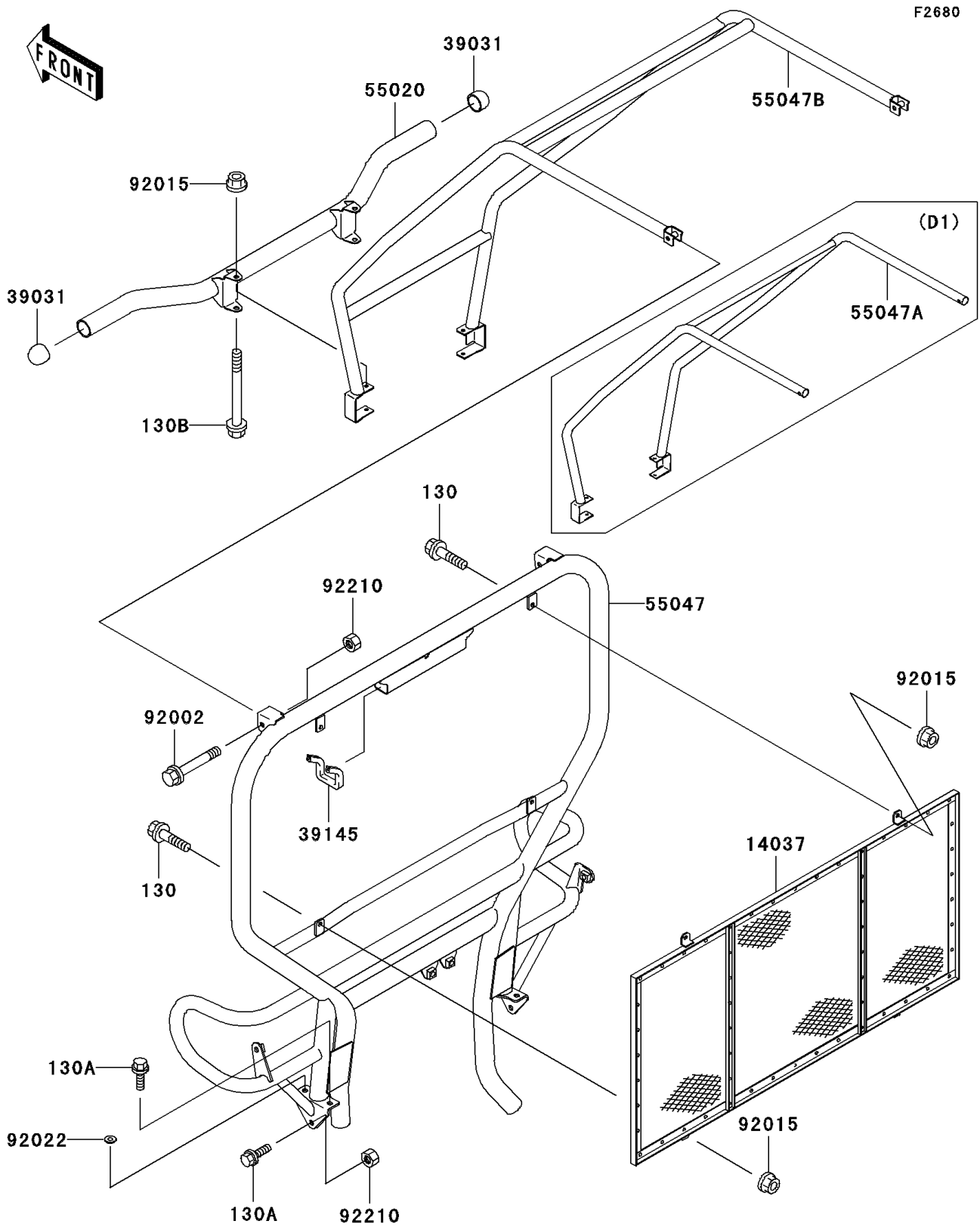


# Mule 520

## PARTS DIAGRAM

### Guard(s)



# Mule 520

## PARTS LIST

### Guard(s)

ITEM NAME	PART NUMBER	QUANTITY
BOLT-FLANGED,8X20 (Ref # 130)	130J0820	4
BOLT-FLANGED,10X20 (Ref # 130A)	130J1020	6
BOLT-FLANGED (Ref # 130B)	130S08100	2
SCREEN,BAR COMP,RR (Ref # 14037)	14037-1230	1
CAP-END,BUMPER PIPE (Ref # 39031)	39031-1059	2
TRIM-SEAL,L=140 (Ref # 39145)	39145-1105	2
GUARD,FRONT BUMPER (Ref # 55020)	55020-1576	1
BAR-COMP,RR (Ref # 55047)	55047-1009	1
BAR-COMP,FR (Ref # 55047A)	55047-1010	1
BOLT,10X55 (Ref # 92002)	92002-1127	2
NUT,FLANGED,LOCK,8MM (Ref # 92015)	92015-1696	6
WASHER,10.5X26X2.3,BLACK (Ref # 92022)	92022-1396	2
NUT,LOCK,10MM (Ref # 92210)	92210-1204	4