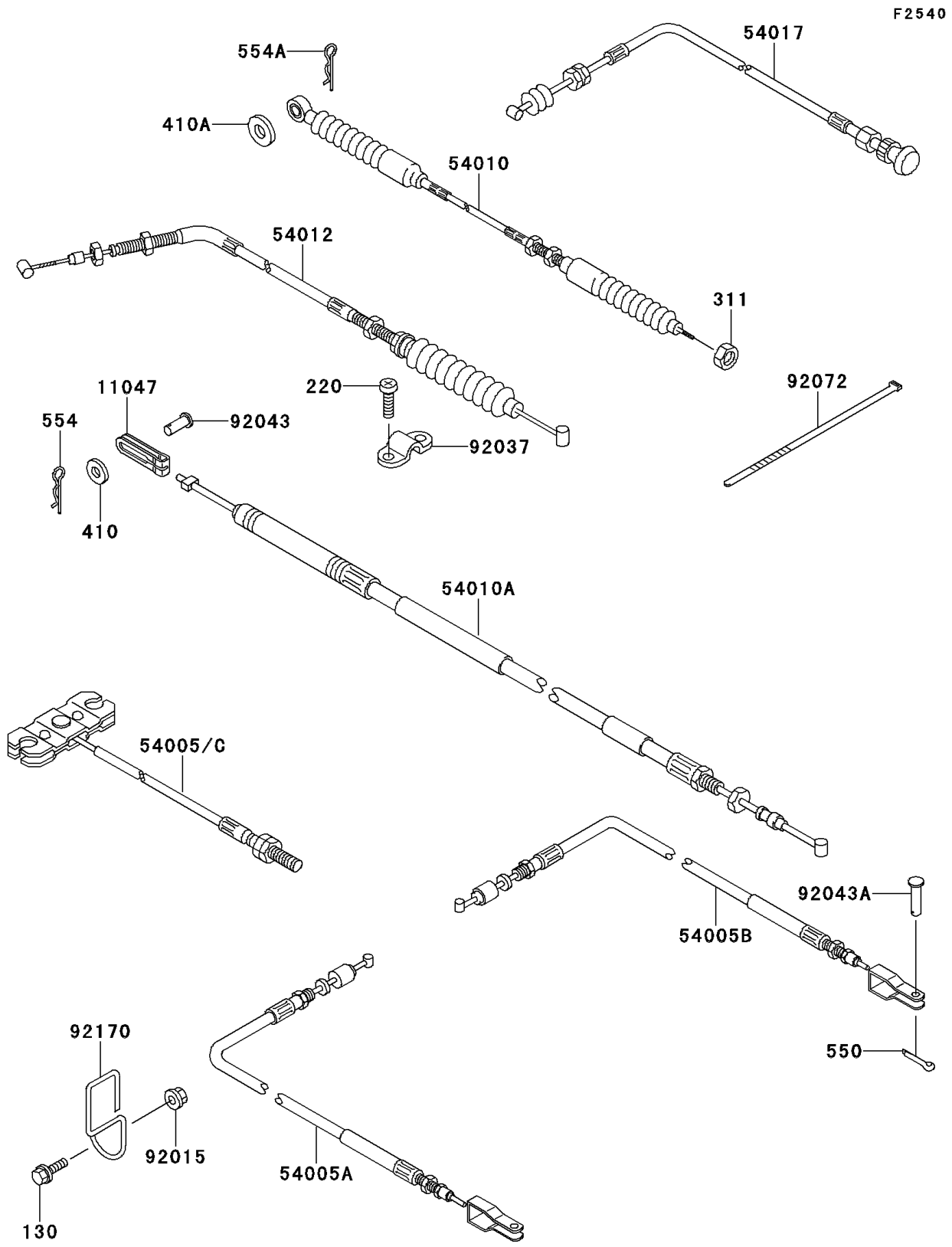


Mule 2500

PARTS DIAGRAM

Cables



Mule 2500

PARTS LIST

Cables

ITEM NAME	PART NUMBER	QUANTITY
BOLT-FLANGED (Ref # 130)	130D0620	1
SCREW-PAN-CROS,5X14 (Ref # 220)	220D0514	2
NUT-HEX,6MM (Ref # 311)	311B0600	1
WASHER-PLAIN-SMALL,6MM (Ref # 410)	410B0600	1
W-PLAIN-S,8MM (Ref # 410A)	410E0800	1
PIN-COTTER,2.0X22 (Ref # 550)	550D2022	2
PIN-SNAP (Ref # 554)	554A0600	1
PIN-SNAP,8MM (Ref # 554A)	554A0800	1
BRACKET,DIFF LOCK (Ref # 11047)	11047-1043	1
CABLE-BRAKE,PARKING,FR (Ref # 54005)	54005-1160	1
CABLE-BRAKE,PARKING,RR,LH (Ref # 54005A)	54005-1172	1
CABLE-BRAKE,PARKING,RR,RH (Ref # 54005B)	54005-1173	1
CABLE,SHIFT CONTROL (Ref # 54010)	54010-1089	1
CABLE,DIFF LOCK (Ref # 54010A)	54010-1091	1
CABLE-THROTTLE (Ref # 54012)	54012-1456	1
CABLE-STARTER (Ref # 54017)	54017-1168	1
NUT,LOCK,FLANGED,6MM (Ref # 92015)	92015-1675	1
CLAMP,CABLE (Ref # 92037)	92037-1933	1
PIN,6X11 (Ref # 92043)	92043-092	1
PIN (Ref # 92043A)	92043-1039	2
BAND,L=188 (Ref # 92072)	92072-1239	7
CLAMP,CABLE (Ref # 92170)	92170-1372	1