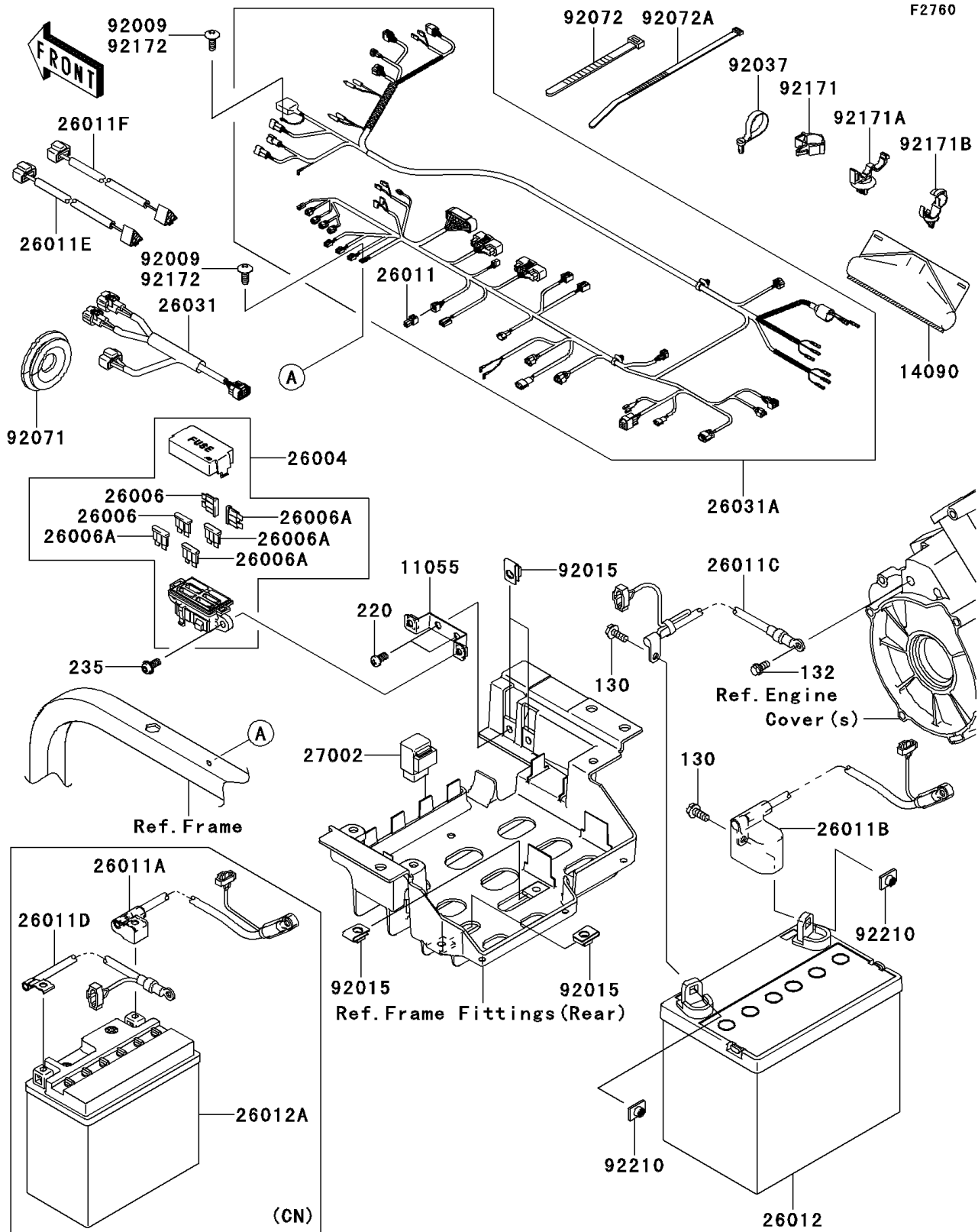


# 2012 TERYX® 750 FI 4x4

## PARTS DIAGRAM

### Chassis Electrical Equipment



# 2012 TERYX® 750 FI 4x4

## PARTS LIST

### Chassis Electrical Equipment

ITEM NAME	PART NUMBER	QUANTITY
BRACKET,FUSE&CONTROL UNIT (Ref # 11055)	11055-1391	1
COVER,COUPLER (Ref # 14090)	14090-1331	1
FUSE-ASSY (Ref # 26004)	26004-0016	1
FUSE,BLADE,30A,GREEN (Ref # 26006)	26006-0004	2
FUSE,BLADE,10A,RED (Ref # 26006A)	26006-0005	4
WIRE-LEAD (Ref # 26011)	26011-0037	1
WIRE-LEAD,HEAD LAMP,LH (Ref # 26011E)	26011-0276	1
WIRE-LEAD,HEAD LAMP,RH (Ref # 26011F)	26011-0277	1
HARNESS,SUB (Ref # 26031)	26031-0752	1
HARNESS,MAIN (Ref # 26031A)	26031-0931	1
RELAY-ASSY (Ref # 27002)	27002-1062	1
NUT,6MM (Ref # 92015)	92015-1602	4
CLAMP,SPEED,L=80.5 (Ref # 92037)	92037-1903	5
GROMMET (Ref # 92071)	92071-0030	1
BAND,L=123 (Ref # 92072)	92072-030	1
BAND,L=292.1 (Ref # 92072A)	92072-3509	19
CLAMP,BRAKE HOSE (Ref # 92171)	92171-0316	2
CLAMP (Ref # 92171A)	92171-0453	11
CLAMP,DIA=13 (Ref # 92171B)	92171-1415	9
SCREW,TAPPING,6X16 (Ref # 92172)	92172-0739	2
BOLT-FLANGED-SMALL,6X12 (Ref # 132)	132BD0612	1
SCREW-PAN-CROS,6X12 (Ref # 220)	220AA0612	2
SCREW-PAN-WP-CROS,6X14 (Ref # 235)	235AA0614	2
WIRE-LEAD,BATTERY(+) (Ref # 26011A)	26011-0130	1
WIRE-LEAD,BATTERY(+) (Ref # 26011B)	26011-0190	1
WIRE-LEAD,BATTERY(-) (Ref # 26011C)	26011-0231	1
WIRE-LEAD,BATTERY(-) (Ref # 26011D)	26011-0269	1
BATTERY,12V 14AH (Ref # 26012)	26012-0107	1
BATTERY,MF,KMX14-BS,12V 12AH (Ref # 26012A)	26012-1414	1

# 2012 TERYX<sup>®</sup> 750 FI 4x4

## PARTS LIST

### Chassis Electrical Equipment

ITEM NAME	PART NUMBER	QUANTITY
NUT,PLATE,6MM (Ref # 92210)	92210-1352	2
BOLT-FLANGED,6X16 (Ref # 130)	130BA0616	2