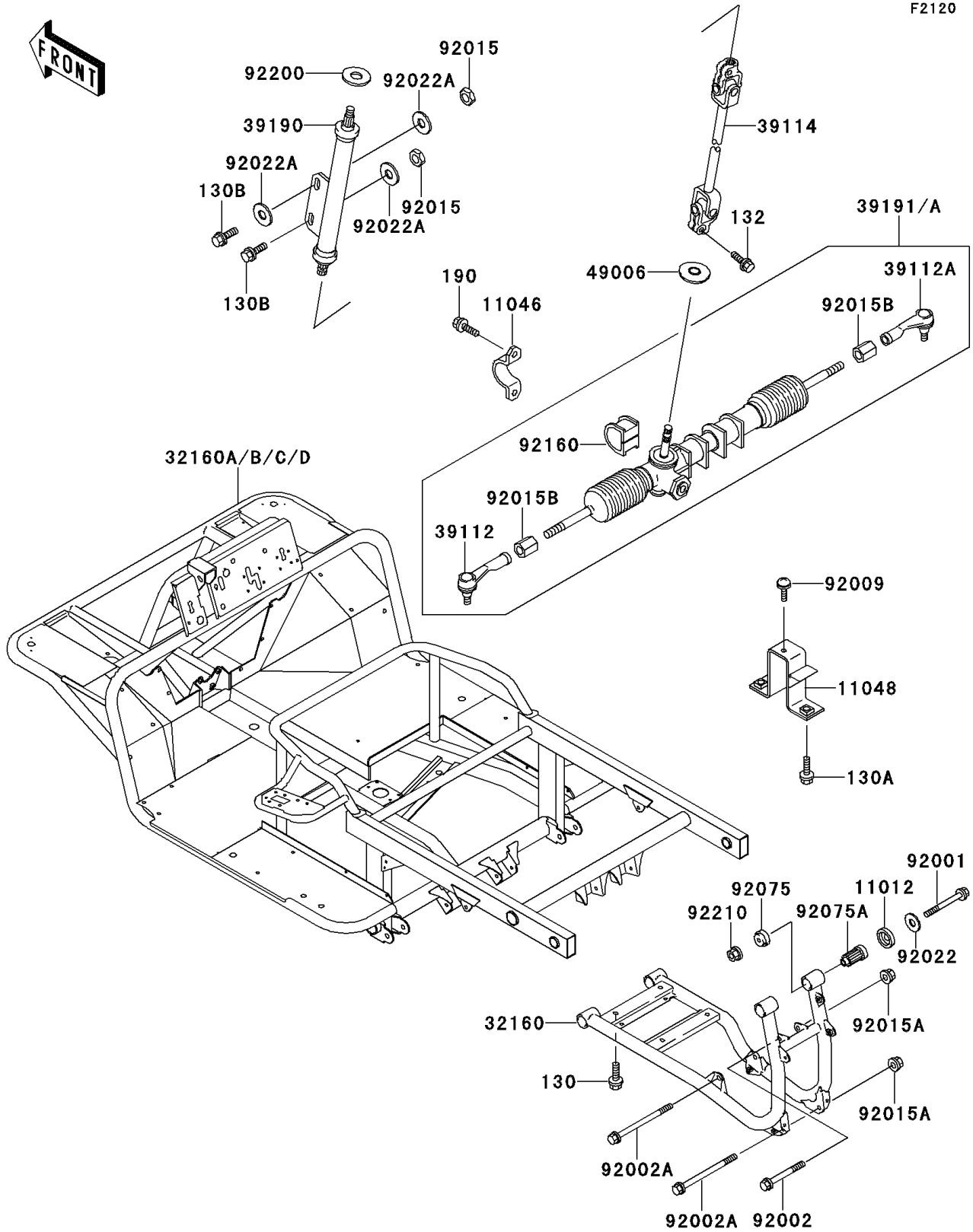


Mule 2500

PARTS DIAGRAM

Frame



Mule 2500

PARTS LIST

Frame

ITEM NAME	PART NUMBER	QUANTITY
BOLT-FLANGED,8X20 (Ref # 130)	130H0820	4
BOLT-FLANGED,8X20 (Ref # 130A)	130J0820	2
BOLT-FLANGED,10X30 (Ref # 130B)	130J1030	2
BOLT-FLANGED-SMALL (Ref # 132)	132J0825	2
BOLT-UPSET-WS (Ref # 190)	190H1025	4
CAP,ENGINE BRACKET (Ref # 11012)	11012-1228	4
BRACKET,STEERING GEAR (Ref # 11046)	11046-1858	2
BRACKET,REAR FRAME (Ref # 11048)	11048-1245	1
FRAME-COMP,RR (Ref # 32160)	32160-1265	1
FRAME-COMP,MAIN (Ref # 32160C)	32160-1507	1
RODEND-TIE,STEERING GEAR,LH (Ref # 39112)	39112-1068	1
RODEND-TIE,STEERING GEAR,RH (Ref # 39112A)	39112-1069	1
SHAFT-COMP-STRG (Ref # 39114)	39114-1070	1
SHAFT-ASSY-STEERING (Ref # 39190)	39190-1003	1
GEAR-ASSY-STEERING (Ref # 39191A)	39191-1005	1
BOOT,STEERING SHAFT,LWR (Ref # 49006)	49006-1255	1
BOLT,FLANGED,10X85 (Ref # 92001)	92001-1619	4
BOLT,FLANGED,10X80 (Ref # 92002)	92002-1764	1
BOLT,FLANGED,10X145 (Ref # 92002A)	92002-1765	2
SCREW,6X14 (Ref # 92009)	92009-1288	1
NUT,LOCK,10MM,BLACK (Ref # 92015)	92015-1189	2
NUT,LOCK,10MM (Ref # 92015A)	92015-1597	3
NUT (Ref # 92015B)	92015-1864	2
WASHER,10.2X24X1 (Ref # 92022)	92022-137	AR
WASHER,10.5X26X2.3,BLACK (Ref # 92022A)	92022-1396	3
DAMPER,ENGINE MOUNT,SIDE (Ref # 92075)	92075-1274	4
DAMPER,ENGINE MOUNT,MAIN (Ref # 92075A)	92075-1377	4
DAMPER,STEERING GEAR (Ref # 92160)	92160-1084	2
WASHER,15X45X0.6 (Ref # 92200)	92200-1130	1

Mule 2500

PARTS LIST

Frame

ITEM NAME	PART NUMBER	QUANTITY
NUT,LOCK,FLANGED,10MM (Ref # 92210)	92210-1081	4