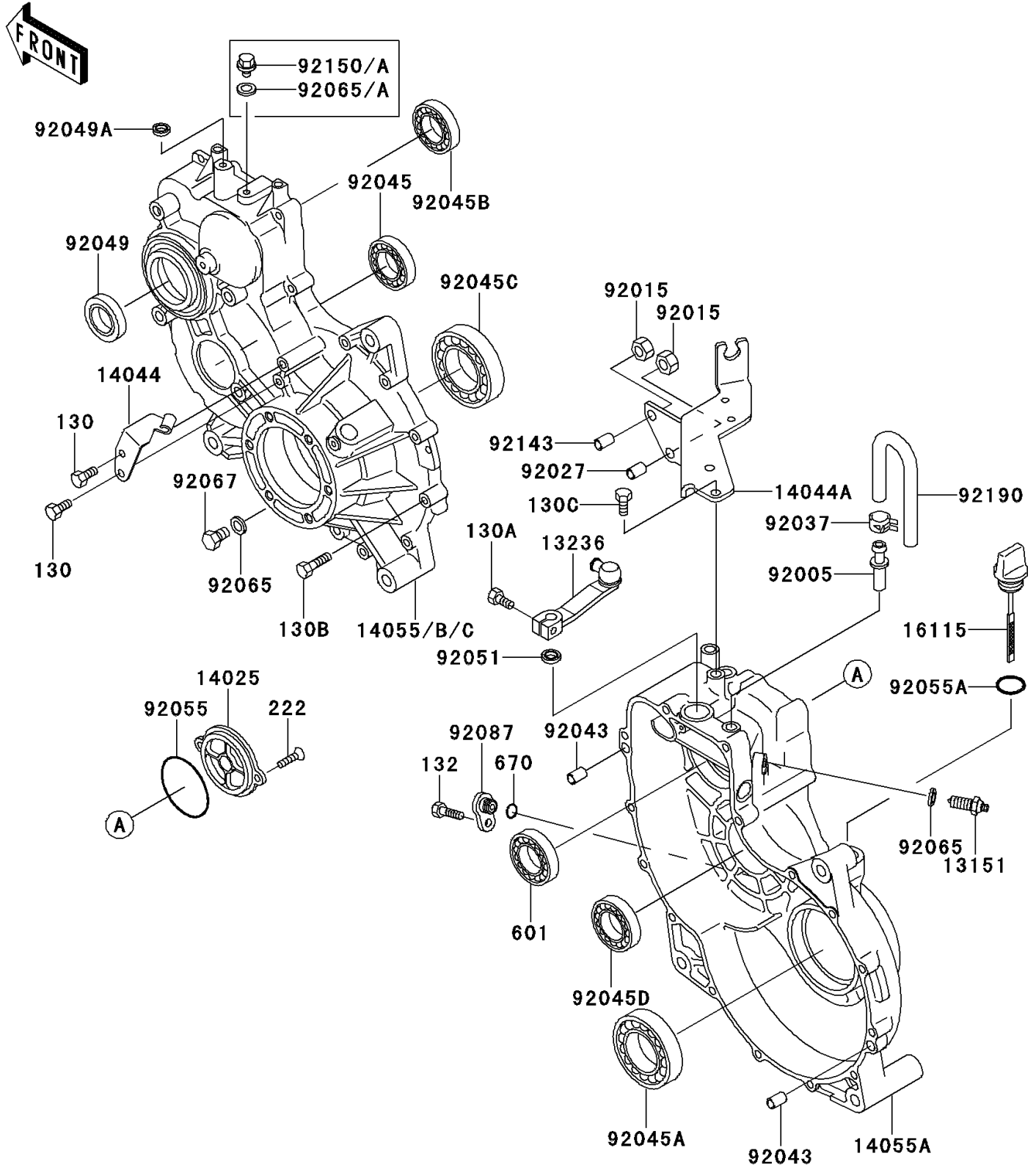


# Mule 2500

## PARTS DIAGRAM

### Gear Box

E1450



# Mule 2500

## PARTS LIST

### Gear Box

ITEM NAME	PART NUMBER	QUANTITY
BOLT-FLANGED,6X14 (Ref # 130)	130D0614	2
BOLT-FLANGED (Ref # 130A)	130H0620	1
BOLT-FLANGED,6X35 (Ref # 130B)	130H0635	15
SWITCH-COMP,NEUTRAL (Ref # 13151)	13151-1069	1
LEVER-COMP,CHANGE (Ref # 13236)	13236-1246	1
COVER (Ref # 14025)	14025-1813	1
HOLDER-CABLE (Ref # 14044)	14044-1065	1
HOLDER-CABLE,FR/RR (Ref # 14044A)	14044-1074	1
CASE-GEAR,RH (Ref # 14055A)	14055-1112	1
CASE-GEAR,LH (Ref # 14055B)	14055-1123	1
CAP-OIL FILLER (Ref # 16115)	16115-1060	1
FITTING,BREATHER (Ref # 92005)	92005-1127	1
NUT,8MM (Ref # 92015)	92015-1432	2
COLLAR,8.3X11.5X9 (Ref # 92027)	92027-1568	1
CLAMP,TUBE (Ref # 92037)	92037-1505	1
PIN,6.2X8X14 (Ref # 92043)	92043-1263	2
BEARING-BALL,TMB304CCM (Ref # 92045)	92045-1142	1
BEARING-BALL (Ref # 92045A)	92045-1162	1
BEARING-BALL,62/28 (Ref # 92045B)	92045-1207	1
BEARING-BALL (Ref # 92045C)	92045-1213	1
BEARING-BALL,TMB205JR2 (Ref # 92045D)	92045-1285	1
SEAL-OIL,TC28X47X7 (Ref # 92049)	92049-1297	1
SEAL-OIL,VC-6X10X2.5 (Ref # 92049A)	92049-2097	1
SEAL-OIL,TB13225.5 (Ref # 92051)	92051-005	1
RING-O,55MM (Ref # 92055)	92055-1120	1
RING-O,20MM (Ref # 92055A)	92055-2185	1
GASKET,10.5X16X1,DRAIN PLUG (Ref # 92065)	92065-058	3
PLUG,DRAIN,10X12 (Ref # 92067)	92067-001	1
BUSHING-METER GEAR (Ref # 92087)	92087-1058	1

# Mule 2500

## PARTS LIST

### Gear Box

ITEM NAME	PART NUMBER	QUANTITY
COLLAR,8.5X15X9 (Ref # 92143)	92143-1642	1
BOLT (Ref # 92150)	92150-1900	1
TUBE (Ref # 92190)	92190-3807	1
BOLT-FLANGED,8X20 (Ref # 130C)	130H0820	2
BOLT-FLANGED-SMALL (Ref # 132)	132J0614	1
SCREW-CSK-RD-CROS (Ref # 222)	222B0614	2
BEARING-BALL (Ref # 601)	601B6007	1
O RING,10MM (Ref # 670)	670D1510	1