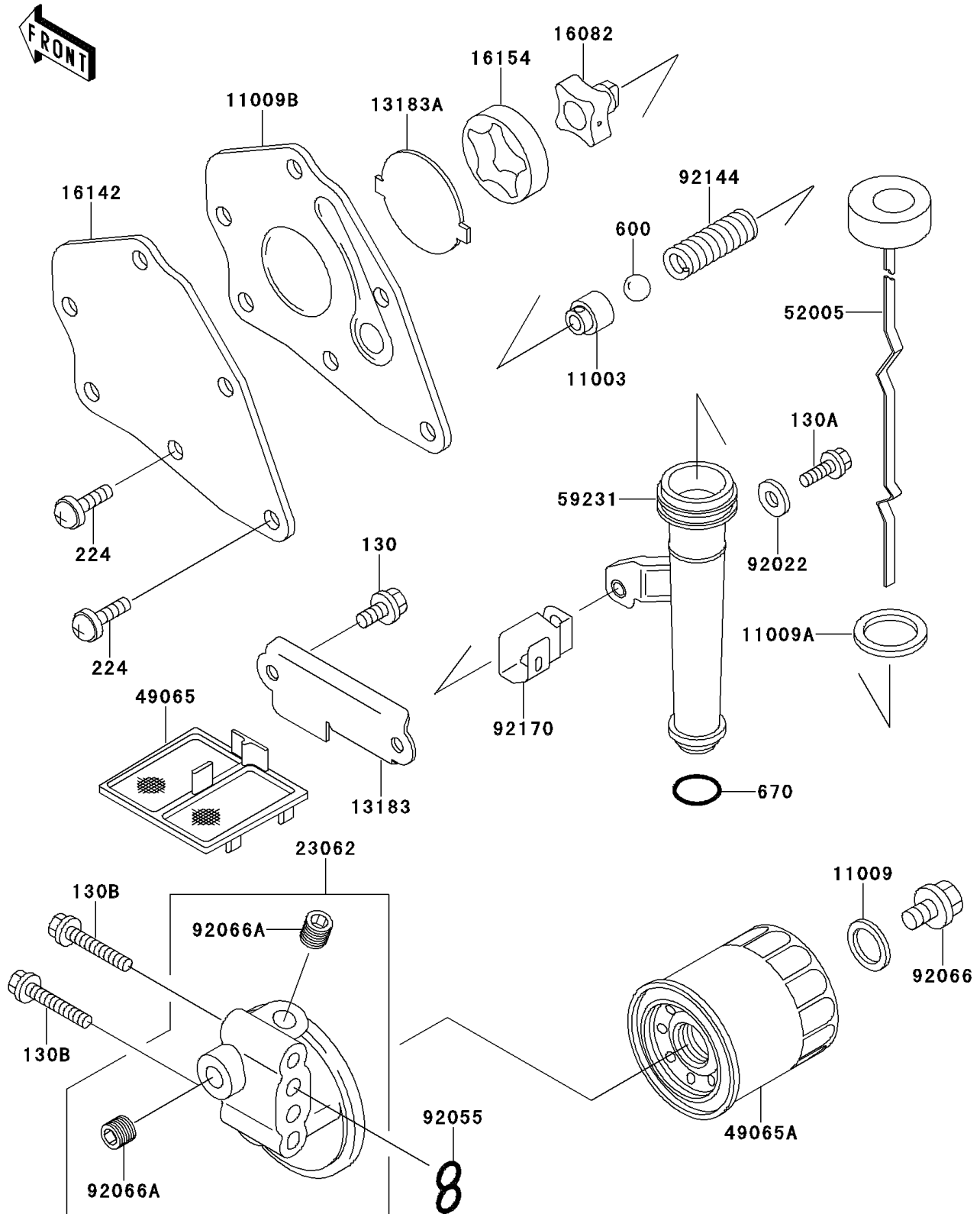


# Mule 500

## PARTS DIAGRAM

### Oil Pump/Oil Filter

E1710



# Mule 500

## PARTS LIST

### Oil Pump/Oil Filter

| ITEM NAME                       | PART NUMBER | QUANTITY |
|---------------------------------|-------------|----------|
| BOLT-FLANGED,5X8 (Ref # 130)    | 130B0508    | 2        |
| BOLT-FLANGED,6X16 (Ref # 130A)  | 130B0616    | 1        |
| BOLT-FLANGED,6X40 (Ref # 130B)  | 130G0640    | 2        |
| SCREW-PAN-WP-CROS (Ref # 224)   | 224B0612    | 6        |
| BALL-STEEL,5/16" (Ref # 600)    | 600A1000    | 1        |
| O RING,16MM (Ref # 670)         | 670D2016    | 1        |
| SEAT-VALVE (Ref # 11003)        | 11003-2089  | 1        |
| GASKET (Ref # 11009)            | 11009-2175  | 1        |
| GASKET,OIL GAUGE (Ref # 11009A) | 11009-2346  | 1        |
| GASKET,OIL PUMP (Ref # 11009B)  | 11009-2828  | 1        |
| PLATE,OIL FILTER (Ref # 13183)  | 13183-2295  | 1        |
| PLATE,OIL PUMP (Ref # 13183A)   | 13183-2298  | 1        |
| PUMP-ASSY-OIL (Ref # 16082)     | 16082-2062  | 1        |
| COVER-PUMP (Ref # 16142)        | 16142-2062  | 1        |
| ROTOR-PUMP,OUT (Ref # 16154)    | 16154-2054  | 1        |
| BRACKET-COMP (Ref # 23062)      | 23062-6004  | 1        |
| FILTER-OIL (Ref # 49065)        | 49065-2068  | 1        |
| FILTER-OIL (Ref # 49065A)       | 49065-2071  | 1        |
| GAUGE (Ref # 52005)             | 52005-2095  | 1        |
| FILLER (Ref # 59231)            | 59231-2072  | 1        |
| WASHER (Ref # 92022)            | 92022-2089  | 1        |
| RING-O (Ref # 92055)            | 92055-2063  | 1        |
| PLUG (Ref # 92066)              | 92066-2203  | 1        |
| PLUG (Ref # 92066A)             | 92066-2211  | 2        |
| SPRING (Ref # 92144)            | 92144-2202  | 1        |
| CLAMP (Ref # 92170)             | 92170-2018  | 1        |