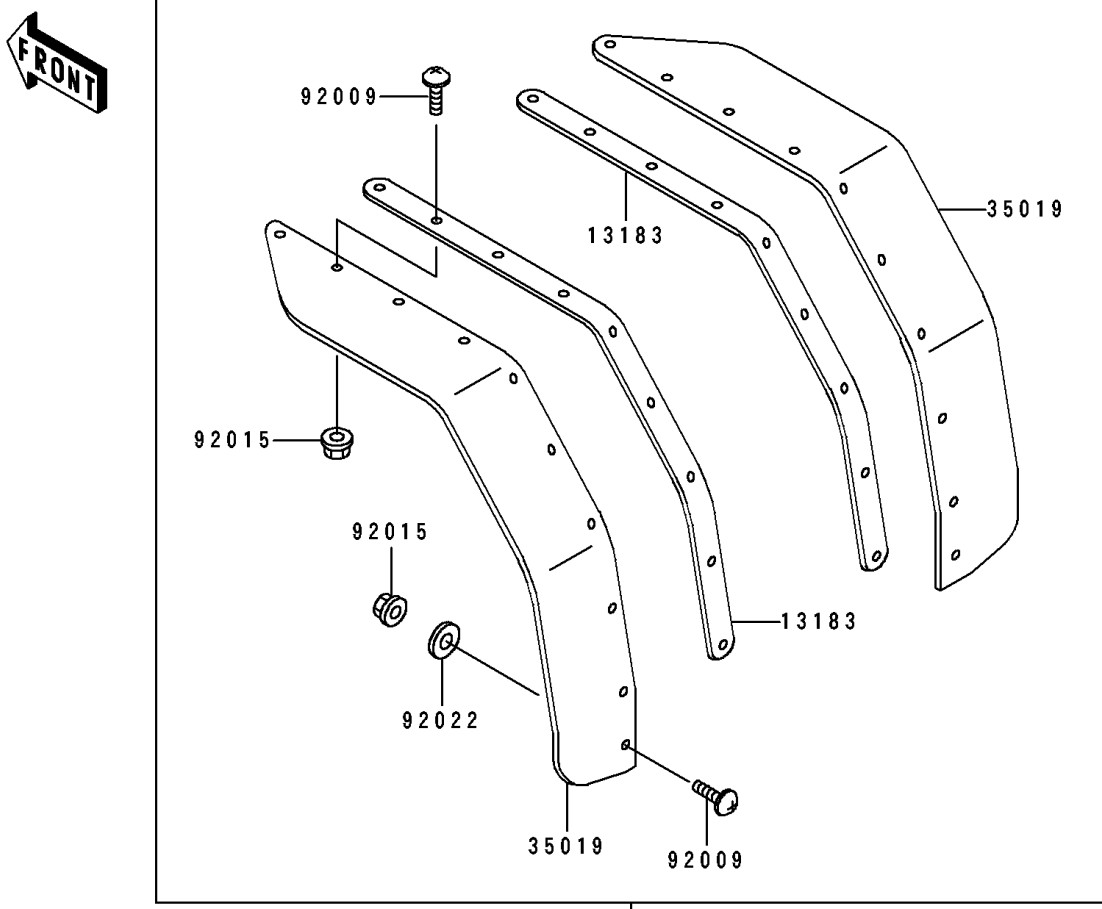


# Mule 500

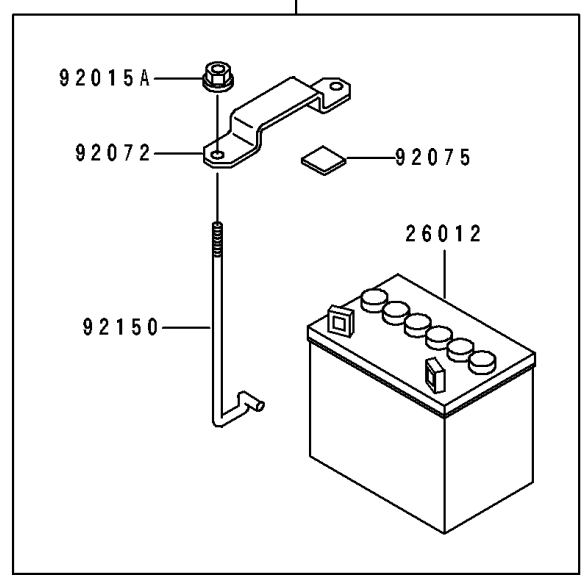
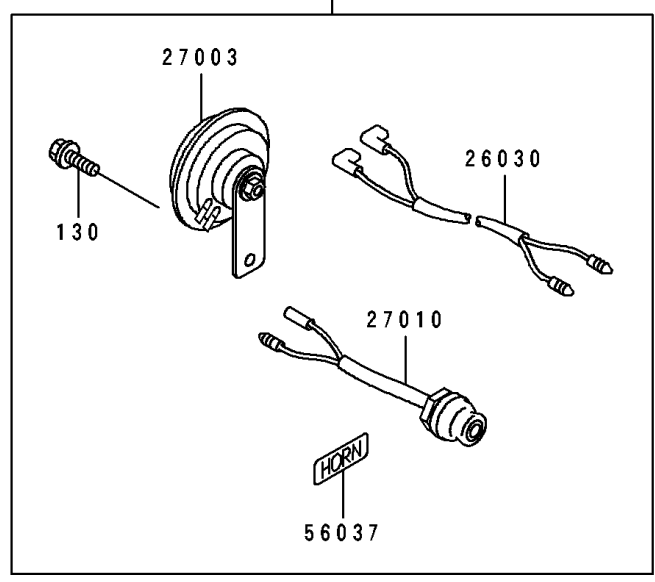
## PARTS DIAGRAM

### Optional Parts(Front)

F2890



SEE ACCESSORY CATALOG FOR KIT



# Mule 500

## PARTS LIST

### Optional Parts(Front)

**ITEM NAME**

**PART NUMBER**

**QUANTITY**

---