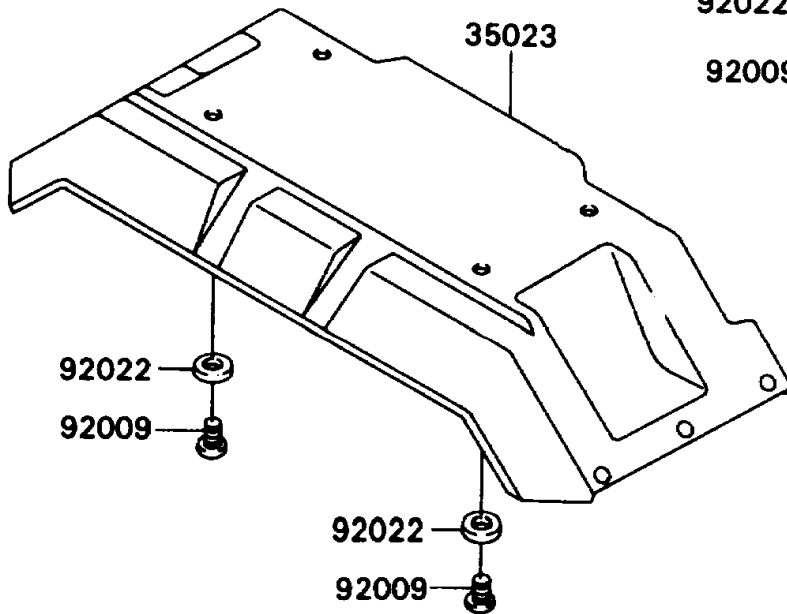
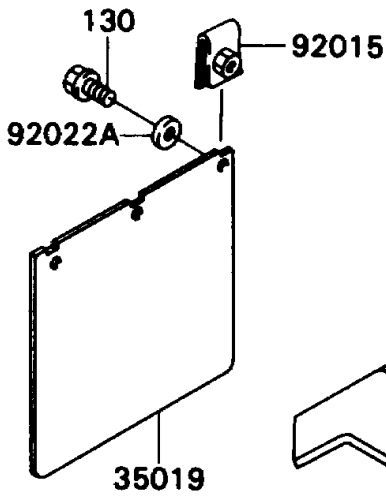
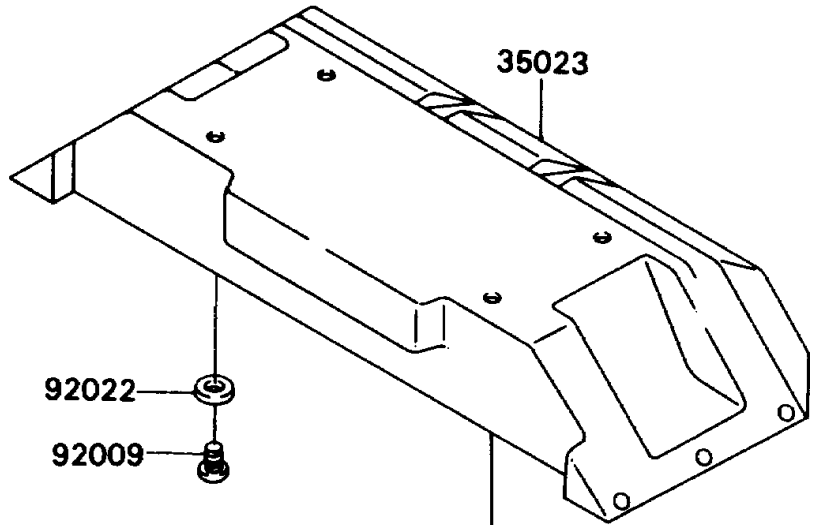
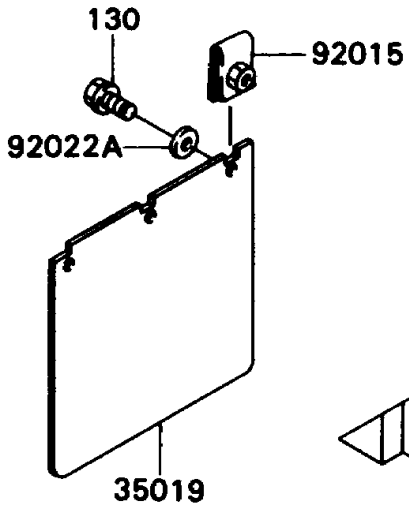


Mule 2020

PARTS DIAGRAM

Accessory(Rear Fender)

F2910A



Mule 2020

PARTS LIST

Accessory(Rear Fender)

ITEM NAME	PART NUMBER	QUANTITY
FLAP,REAR FENDER (Ref # 35019)	35019-1244	2
FENDER-REAR (Ref # 35023)	35023-1244	2
SCREW,TAPPING (Ref # 92009)	92009-1113	8
NUT,6MM (Ref # 92015)	92015-1602	6
WASHER,8.5X26X1.6 (Ref # 92022)	92022-092	8
WASHER,6.5X20X1.6,BLACK (Ref # 92022A)	92022-1346	6
BOLT-FLANGED,6X14,BLACK (Ref # 130)	130J0614	6