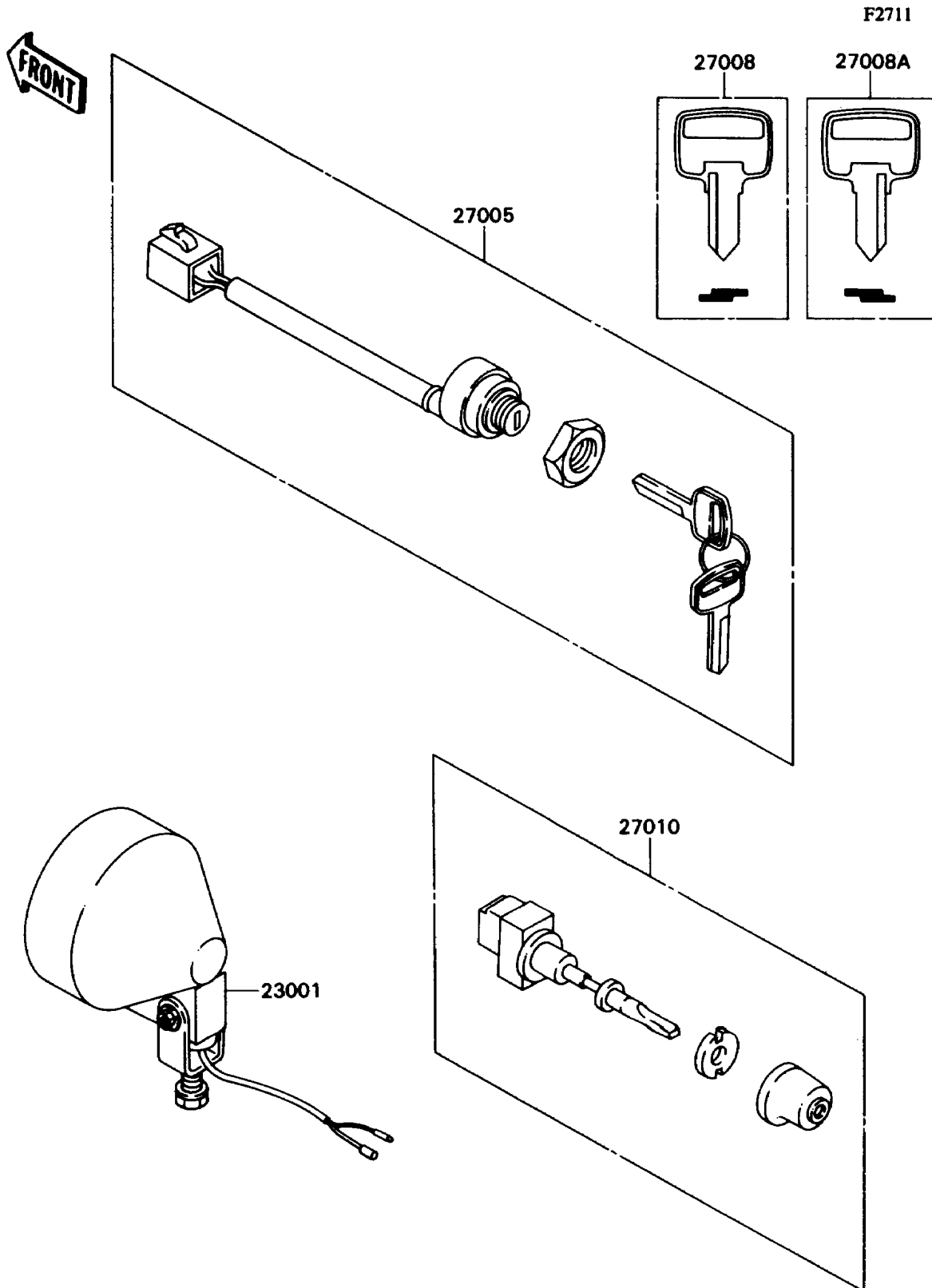


Mule 2020

PARTS DIAGRAM

Head Lamp/Ignition



Mule 2020

PARTS LIST

Head Lamp/Ignition

ITEM NAME	PART NUMBER	QUANTITY
LAMP-ASSY-HEAD (Ref # 23001)	23001-1120	2
SWITCH-ASSY-IGNITION (Ref # 27005)	27005-1146	1
KEY-LOCK,BLANK (Ref # 27008)	27008-1153	1
KEY-LOCK,BLANK (Ref # 27008A)	27008-1157	1
SWITCH,HEAD LAMP (Ref # 27010)	27010-1265	1