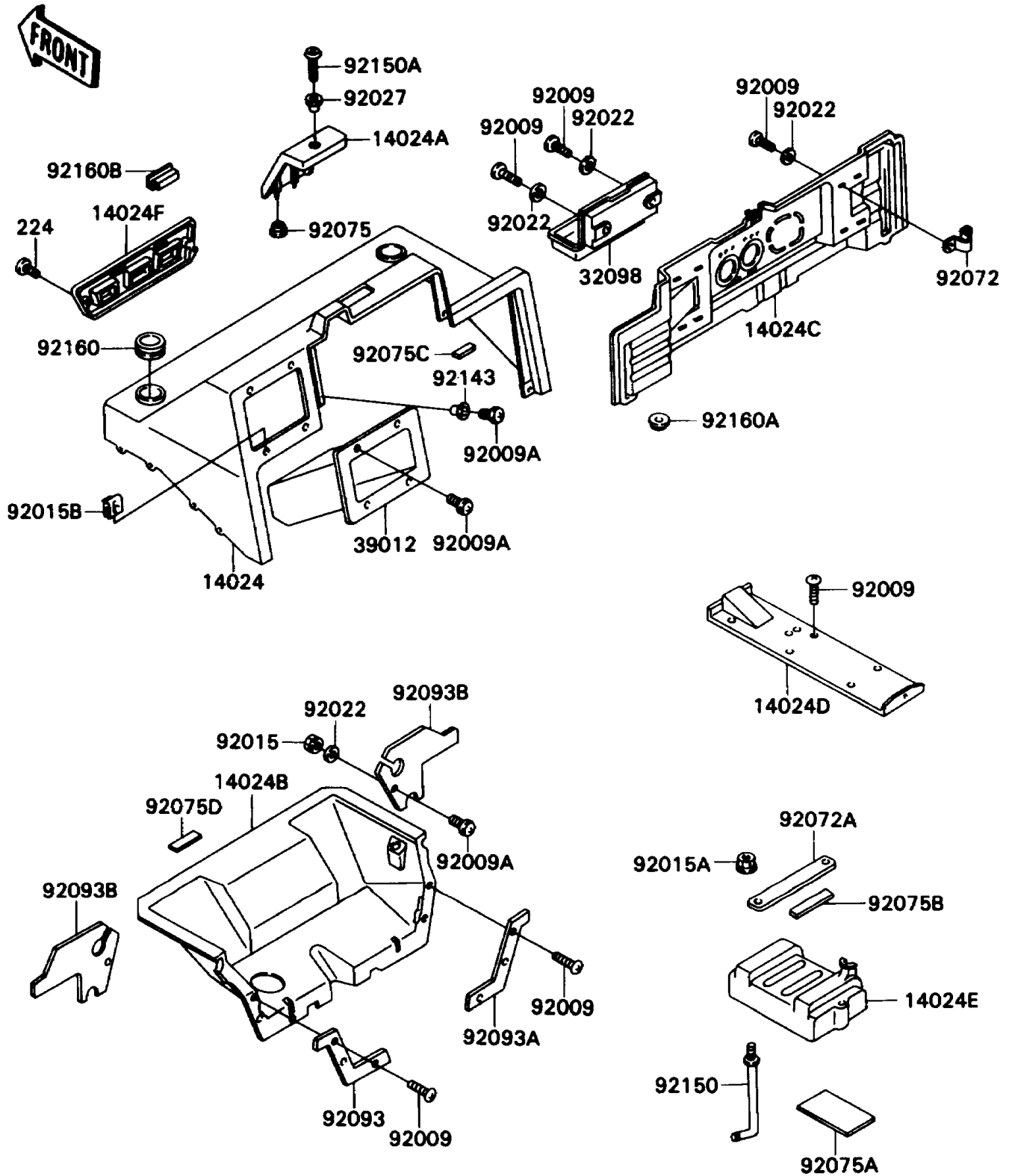


# Mule 2020

## PARTS DIAGRAM

### Frame Fitting(Cover)

F2131



# Mule 2020

## PARTS LIST

### Frame Fitting(Cover)

ITEM NAME	PART NUMBER	QUANTITY
COVER,UPP,F.RED (Ref # 14024)	14024-1787-B1	1
COVER,MAINTENANCE,F.RED (Ref # 14024A)	14024-1788-B1	1
COVER,LWR (Ref # 14024B)	14024-1789	1
COVER,SEAT UNDER (Ref # 14024C)	14024-1790	1
COVER,FLOOR,CNT (Ref # 14024D)	14024-1791	1
COVER,BATTERY (Ref # 14024E)	14024-1792	1
COVER,FRONT GRILL,F.RED (Ref # 14024F)	14024-1816-B1	1
CASE-TOOL (Ref # 32098)	32098-1052	1
CASE-STORAGE (Ref # 39012)	39012-1053	1
SCREW (Ref # 92009)	92009-1166	23
SCREW,6X18,BLACK (Ref # 92009A)	92009-1181	8
NUT,FLANGED,6MM (Ref # 92015)	92015-1386	2
NUT,FLANGED,8MM (Ref # 92015A)	92015-1406	2
NUT,CLAMP,6MM (Ref # 92015B)	92015-1678	7
WASHER,6.5X20X1.6,BLACK (Ref # 92022)	92022-1346	13
COLLAR,L=14.1 (Ref # 92027)	92027-1920	1
BAND (Ref # 92072)	92072-1252	4
BAND,BATTERY (Ref # 92072A)	92072-1255	1
DAMPER (Ref # 92075)	92075-1067	2
DAMPER (Ref # 92075A)	92075-1076	1
DAMPER (Ref # 92075B)	92075-1214	1
DAMPER,INTAKE SILENCER COVER (Ref # 92075C)	92075-1658	8
DAMPER,BATTERY BAND (Ref # 92075D)	92075-1903	4
SEAL,FRONT FENDER,LH (Ref # 92093)	92093-1293	1
SEAL,FRONT FENDER,RH (Ref # 92093A)	92093-1294	1
SEAL,LOWER COVER (Ref # 92093B)	92093-1295	2
COLLAR,L=5 (Ref # 92143)	92143-1087	2
BOLT,BATTERY (Ref # 92150)	92150-1293	2
BOLT,6X25 (Ref # 92150A)	92150-1360	1

# Mule 2020

## PARTS LIST

### Frame Fitting(Cover)

ITEM NAME	PART NUMBER	QUANTITY
DAMPER (Ref # 92160)	92160-1142	2
DAMPER (Ref # 92160A)	92160-1148	2
DAMPER (Ref # 92160B)	92160-1160	2
SCREW-PAN-WP-CROS (Ref # 224)	224C0630	2