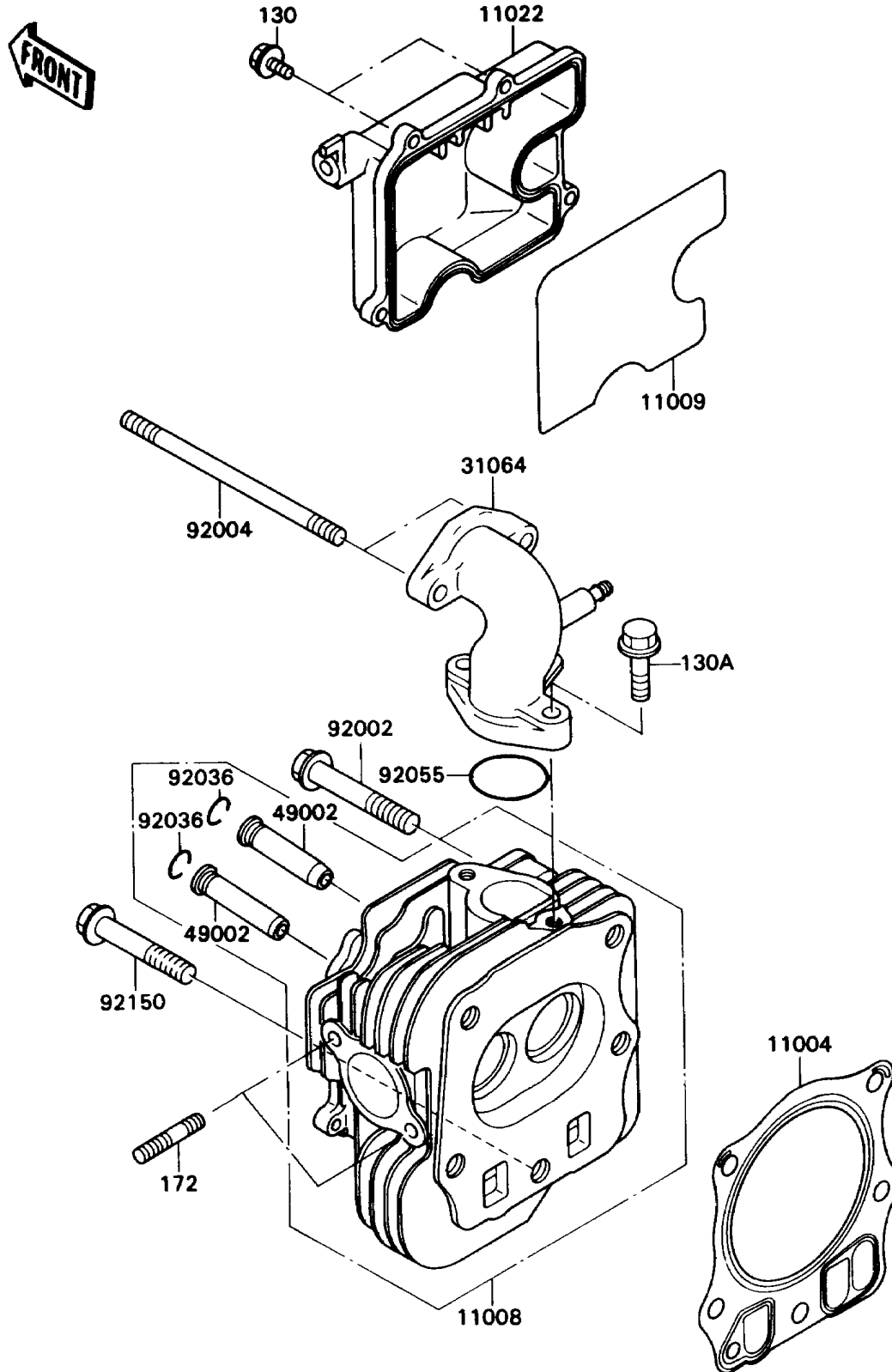


Mule 2020

PARTS DIAGRAM

Cylinder Head

E1111



Mule 2020

PARTS LIST

Cylinder Head

ITEM NAME	PART NUMBER	QUANTITY
GASKET-HEAD (Ref # 11004)	11004-2097	1
HEAD-COMP-CYLINDER (Ref # 11008)	11008-1237	1
GASKET,ROCKER CASE (Ref # 11009)	11009-2433	1
CASE-ROCKER (Ref # 11022)	11022-1054	1
PIPE-COMP,INTAKE (Ref # 31064)	31064-1111	1
GUIDE-VALVE (Ref # 49002)	49002-1105	AR
BOLT,10X65 (Ref # 92002)	92002-2273	4
STUD,8X145 (Ref # 92004)	92004-1192	2
RING-SNAP (Ref # 92036)	92036-023	2
RING-O,34.5X2.0 (Ref # 92055)	92055-1452	1
BOLT,10X57 (Ref # 92150)	92150-2105	1
BOLT-FLANGED,6X16 (Ref # 130)	130B0616	4
BOLT-FLANGED,8X30 (Ref # 130A)	130G0830	2
BOLT-STUD,8X30 (Ref # 172)	172G0830	2