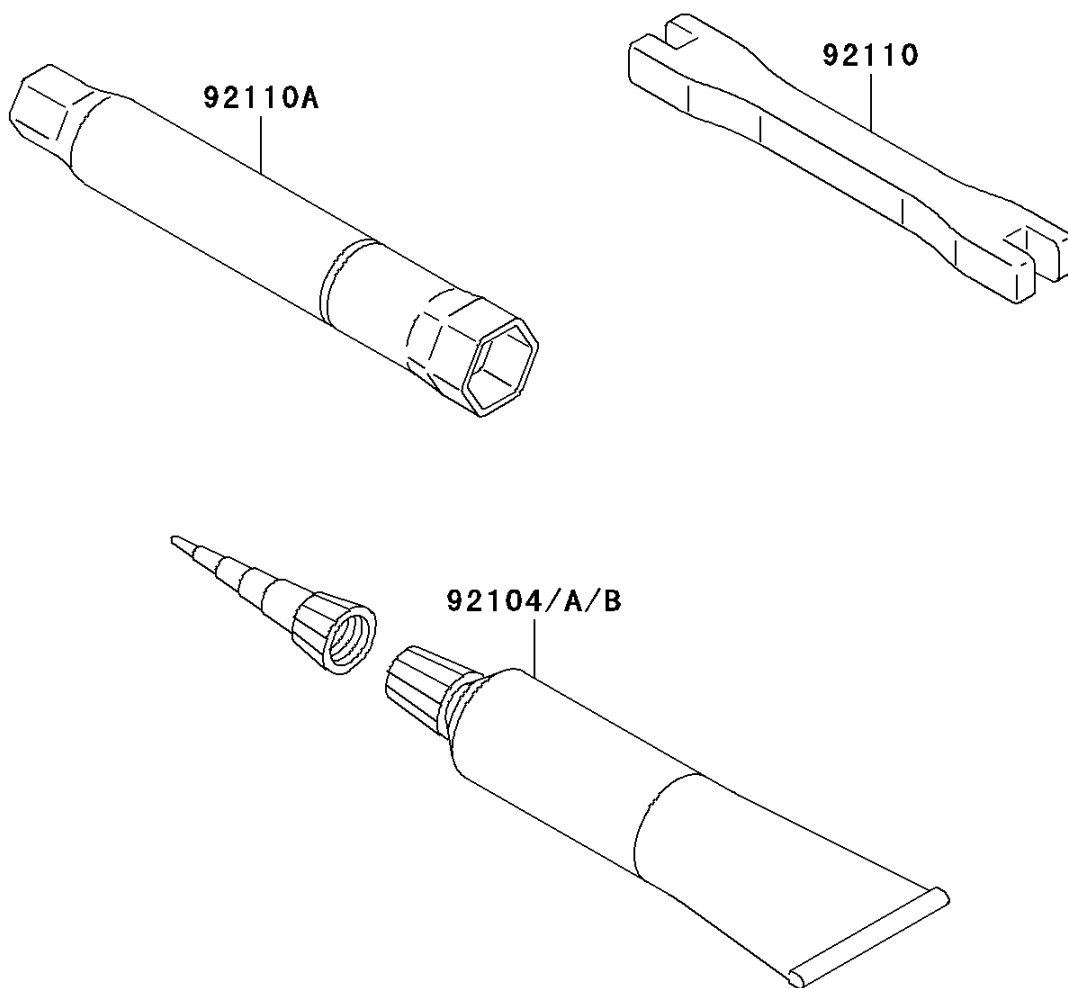


2010 KX™ 250F

PARTS DIAGRAM

Owner's Tools

F2810



2010 KX™ 250F

PARTS LIST

Owner's Tools

ITEM NAME

PART NUMBER

QUANTITY
