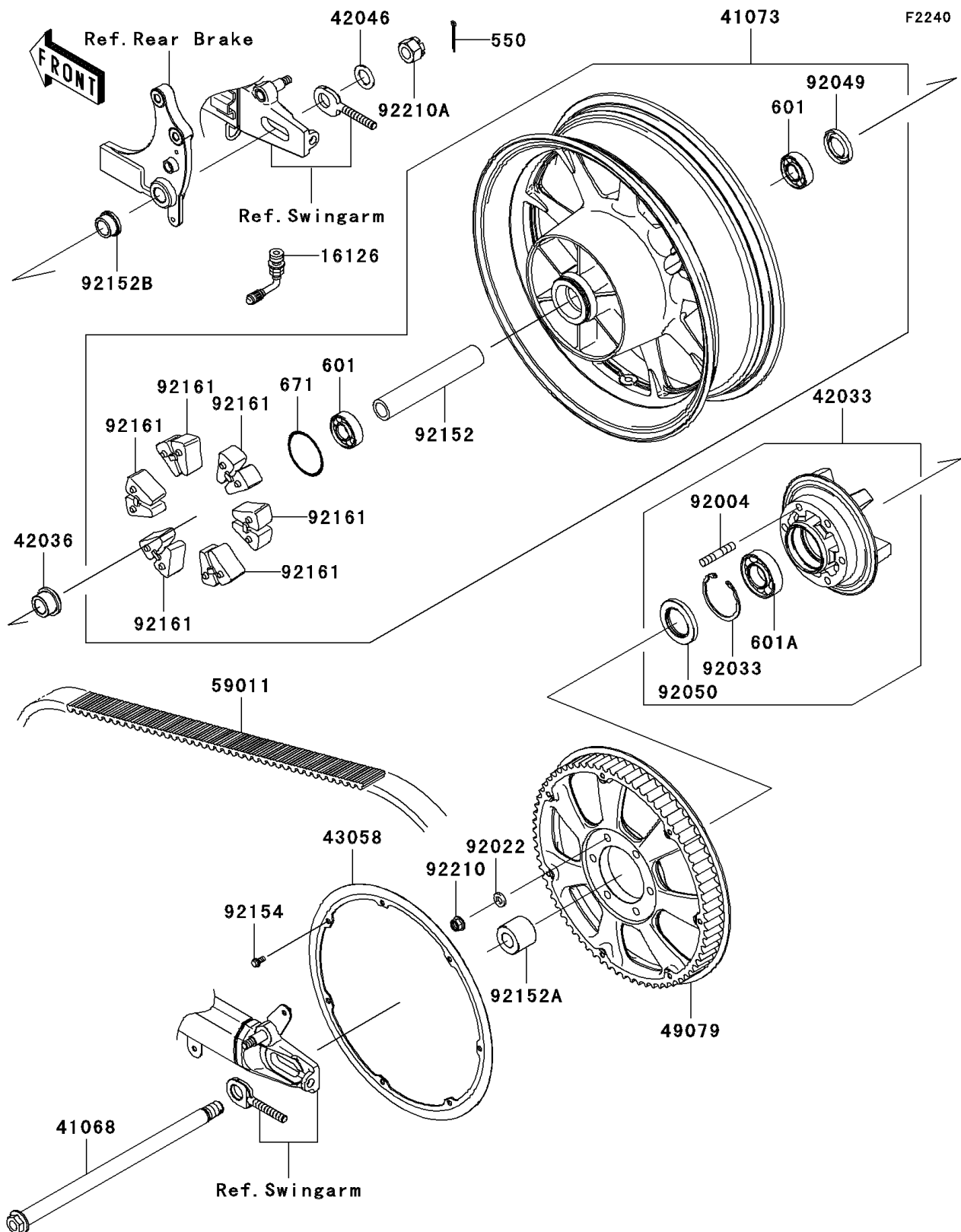


2009 Vulcan® 1700 Classic LT

PARTS DIAGRAM

Rear Wheel/Chain



2009 Vulcan® 1700 Classic LT

PARTS LIST

Rear Wheel/Chain

ITEM NAME	PART NUMBER	QUANTITY
-----------	-------------	----------
