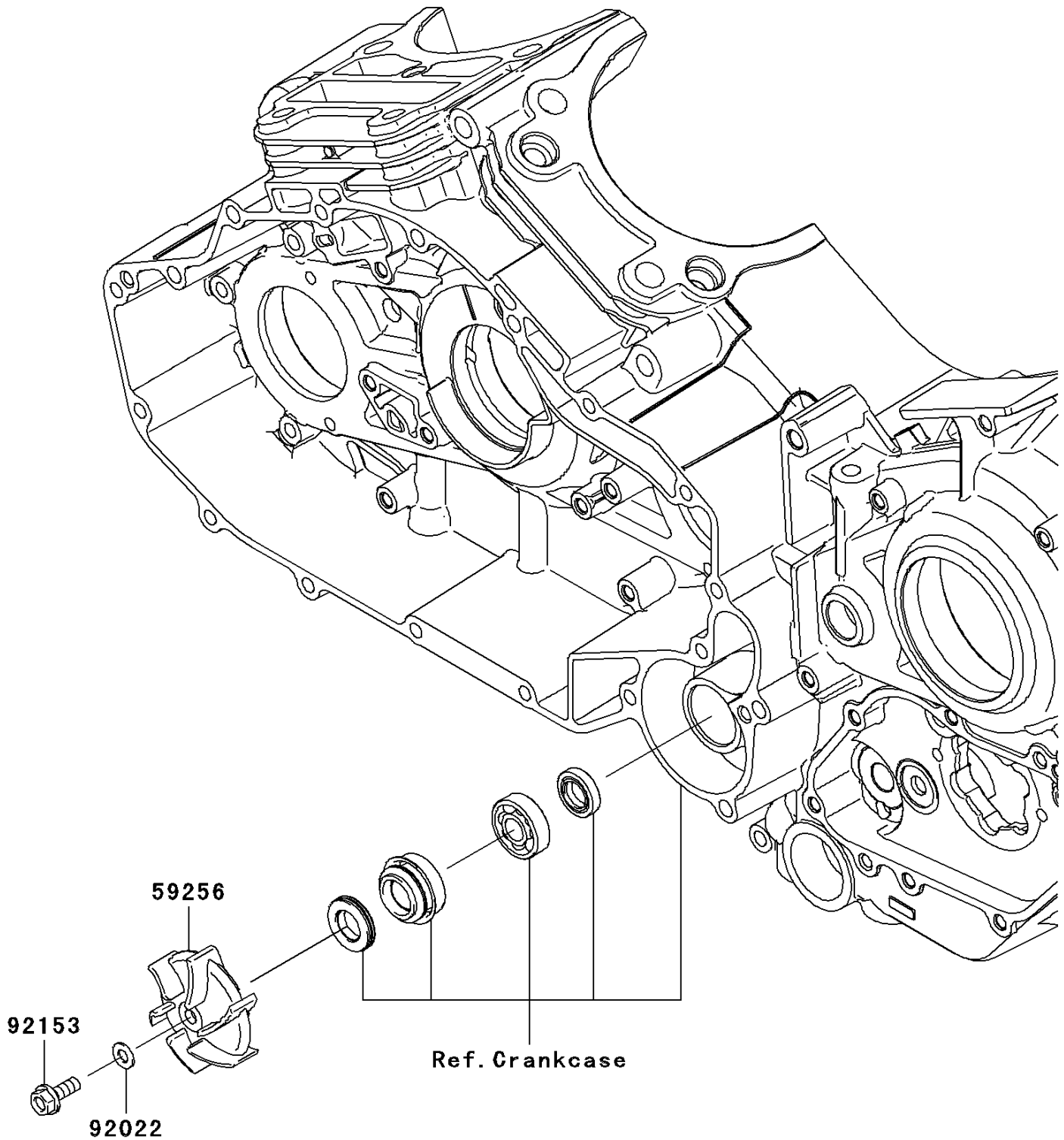


2009 Vulcan® 1700 Classic LT

PARTS DIAGRAM

Water Pump

E3031



2009 Vulcan® 1700 Classic LT

PARTS LIST

Water Pump

ITEM NAME	PART NUMBER	QUANTITY
-----------	-------------	----------
