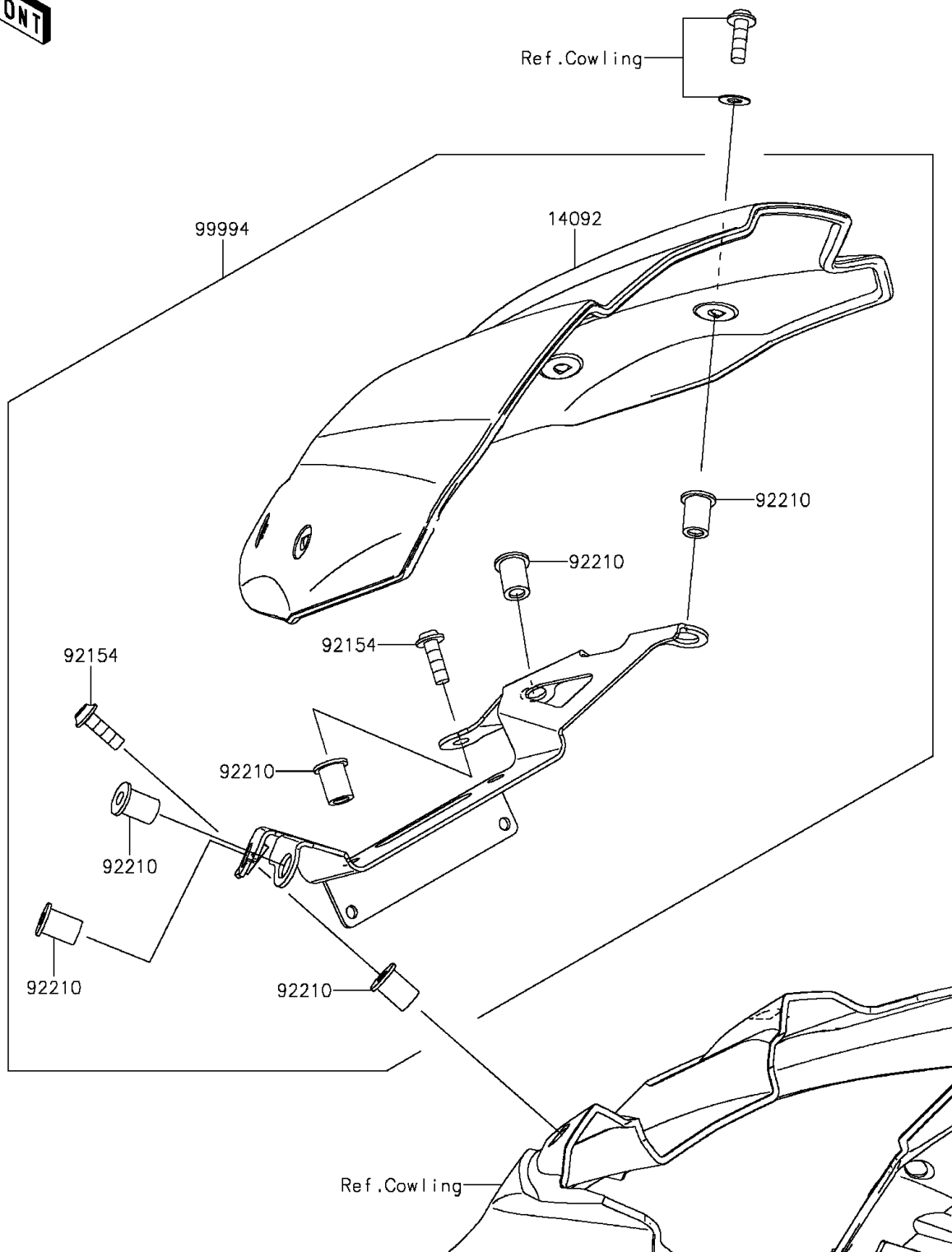


# 2015 ZR800 (European)

## PARTS DIAGRAM

### Accessory(Meter Cover)

F2910B



# 2015 ZR800 (European)

## PARTS LIST

Accessory(Meter Cover)

**ITEM NAME**

**PART NUMBER**

**QUANTITY**

---