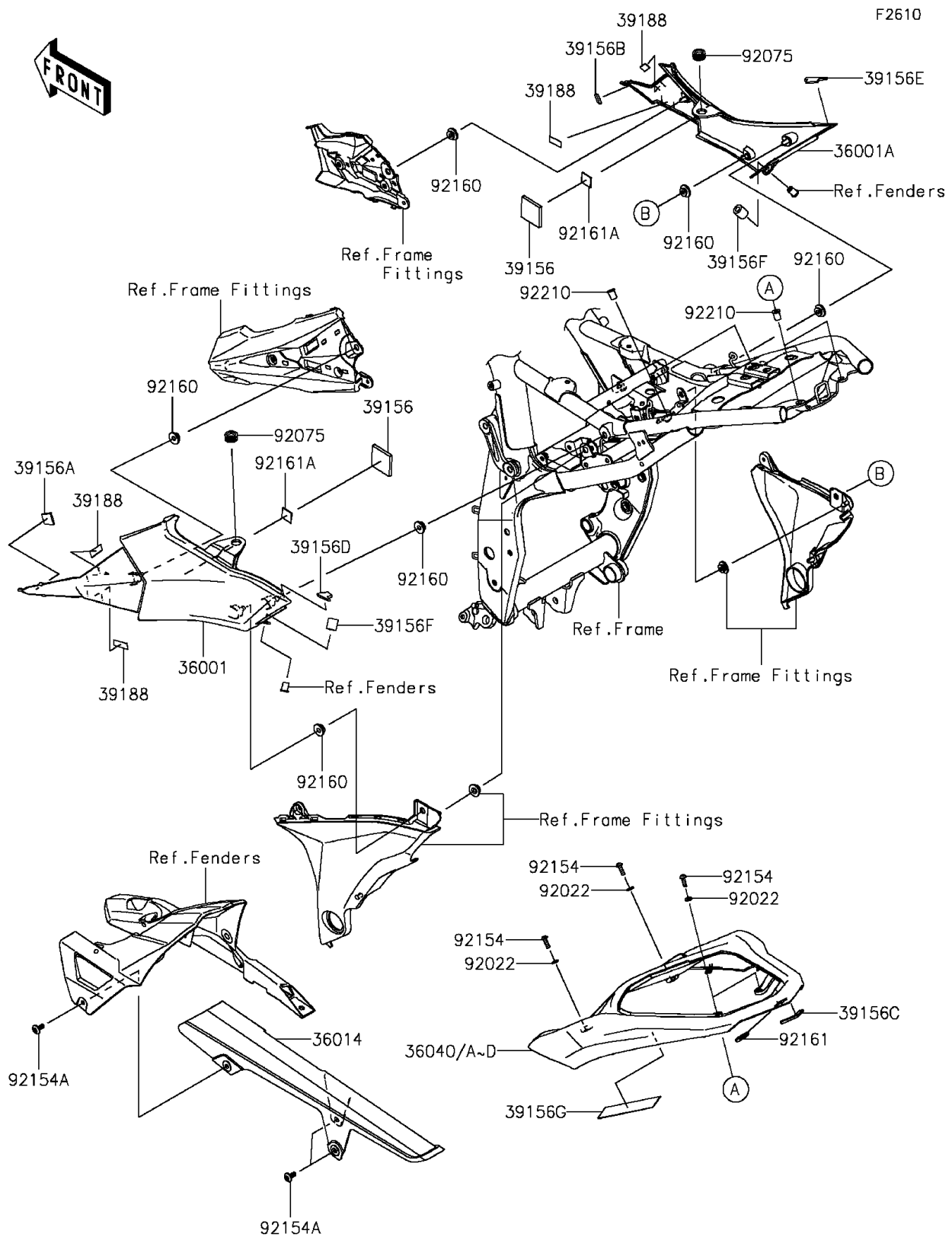


2015 ZR800 (European)

PARTS DIAGRAM

Side Covers/Chain Cover



2015 ZR800 (European)

PARTS LIST

Side Covers/Chain Cover

ITEM NAME

PART NUMBER

QUANTITY
