

2009 Vulcan® 1700 Classic LT

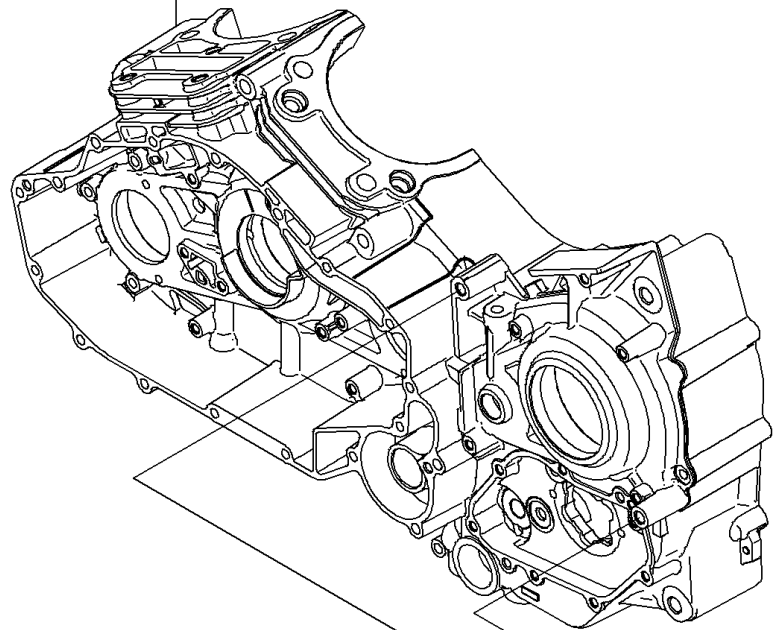
PARTS DIAGRAM

Chain Cover



Ref. Crankcase

E1433



Ref. Clutch

92043

14091

49048

120

53044

92043

14091A

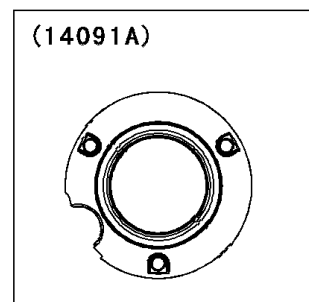
120A

92153

120A

120

92153



(14091A)

WOD

2009 Vulcan® 1700 Classic LT

PARTS LIST

Chain Cover

ITEM NAME

PART NUMBER

QUANTITY
