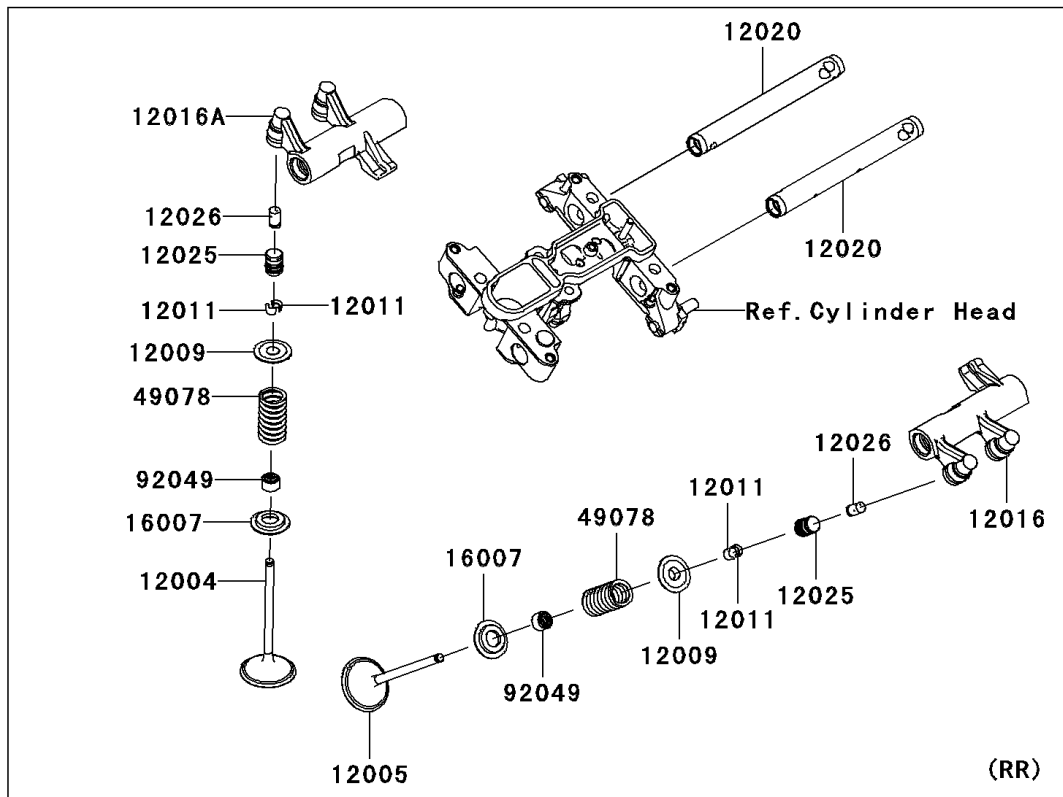
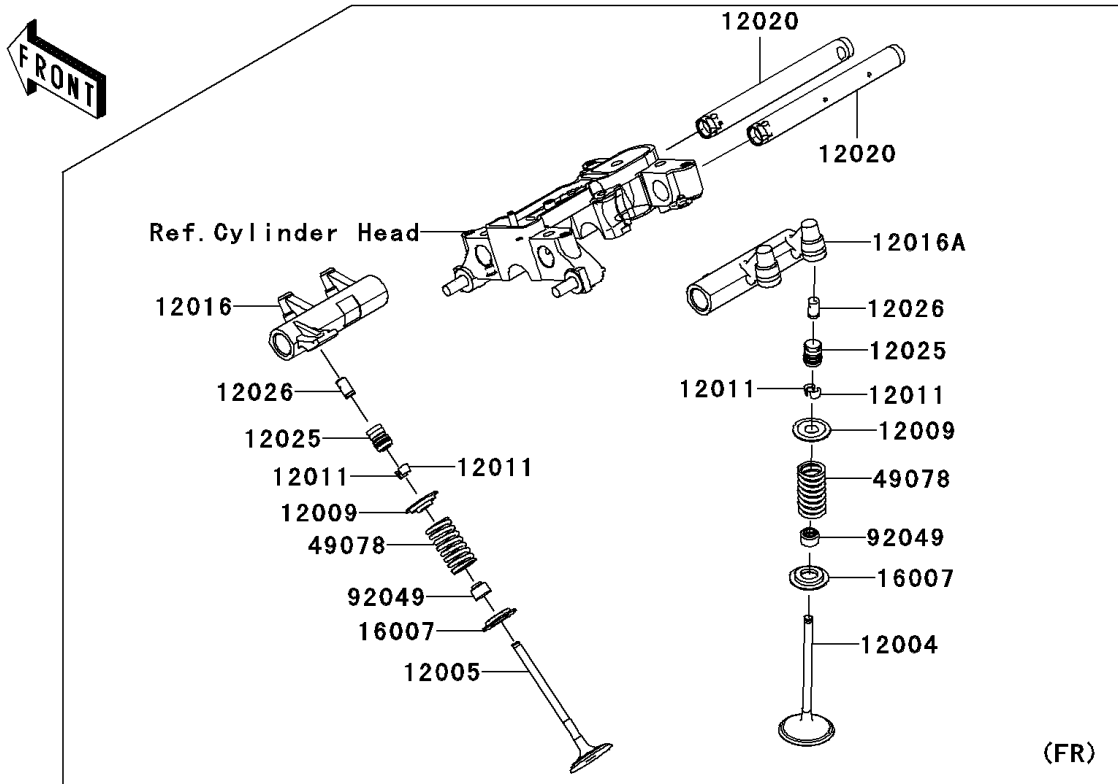


2009 Vulcan® 1700 Classic LT

PARTS DIAGRAM

Valve(s)

E1210



2009 Vulcan® 1700 Classic LT

PARTS LIST

Valve(s)

ITEM NAME	PART NUMBER	QUANTITY
-----------	-------------	----------
