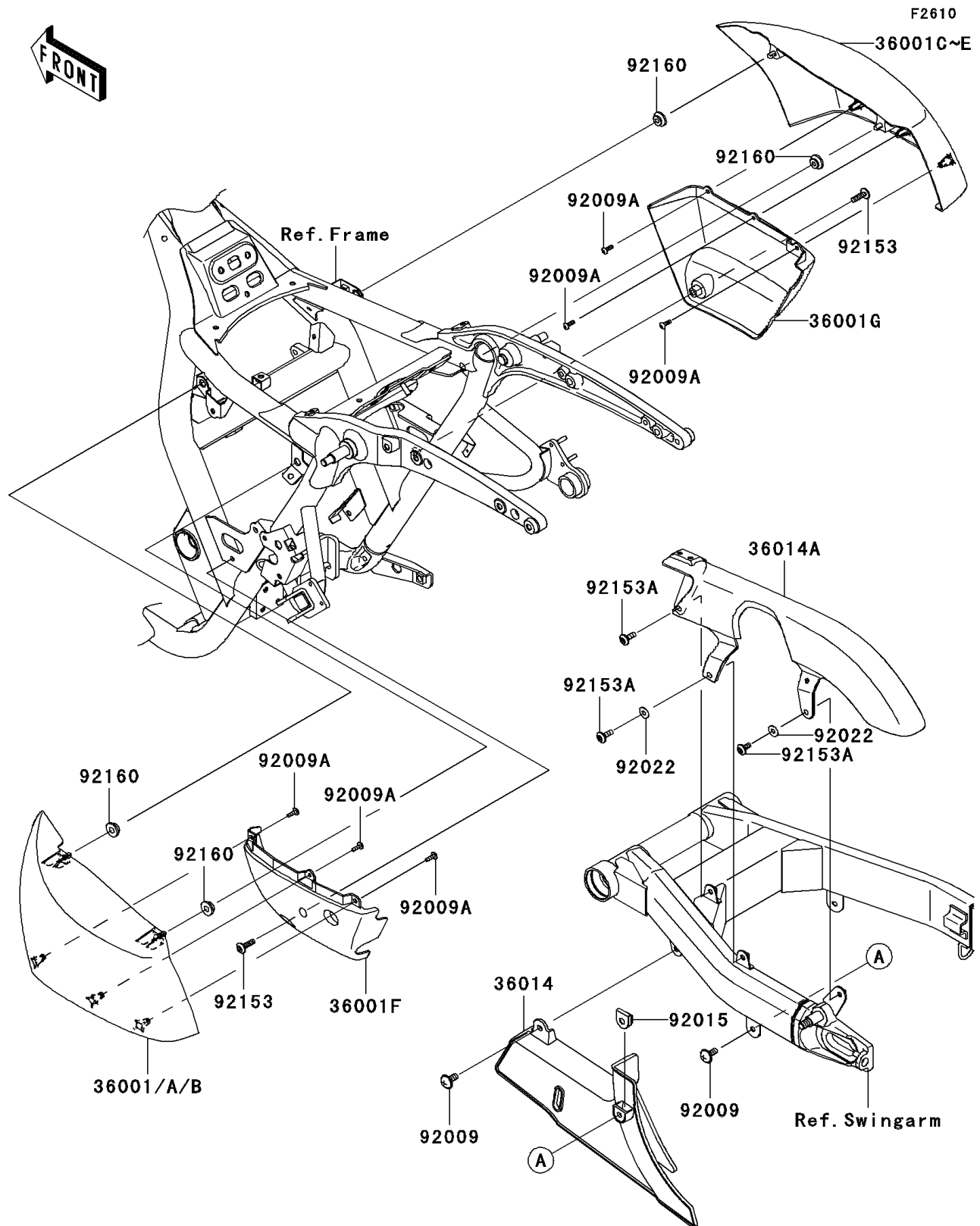


2012 VULCAN® 1700 CLASSIC

PARTS DIAGRAM

Side Covers/Chain Cover



2012 VULCAN® 1700 CLASSIC

PARTS LIST

Side Covers/Chain Cover

ITEM NAME

PART NUMBER

QUANTITY
