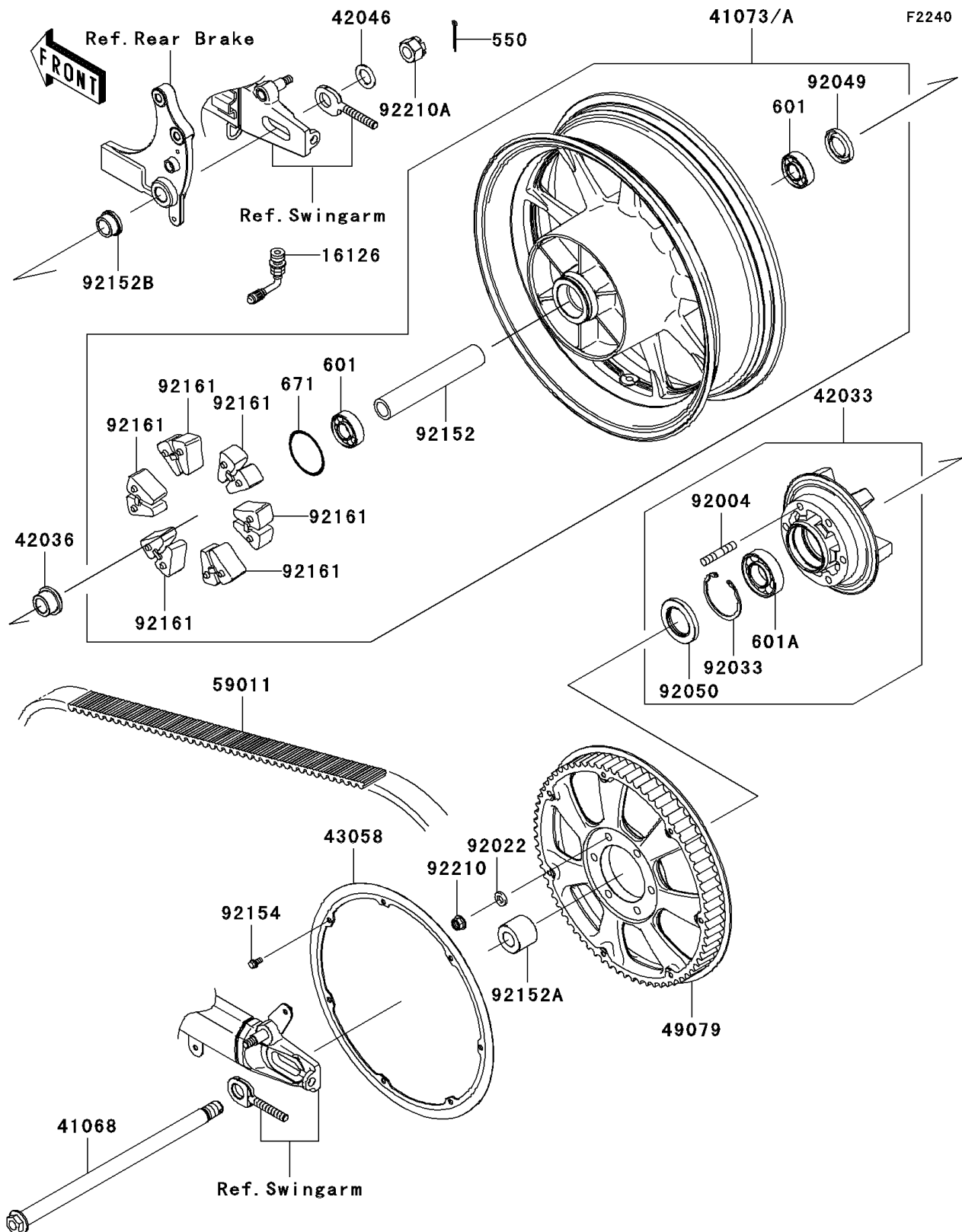


2012 VULCAN® 1700 CLASSIC

PARTS DIAGRAM

Rear Wheel/Chain



2012 VULCAN® 1700 CLASSIC

PARTS LIST

Rear Wheel/Chain

ITEM NAME	PART NUMBER	QUANTITY
-----------	-------------	----------
