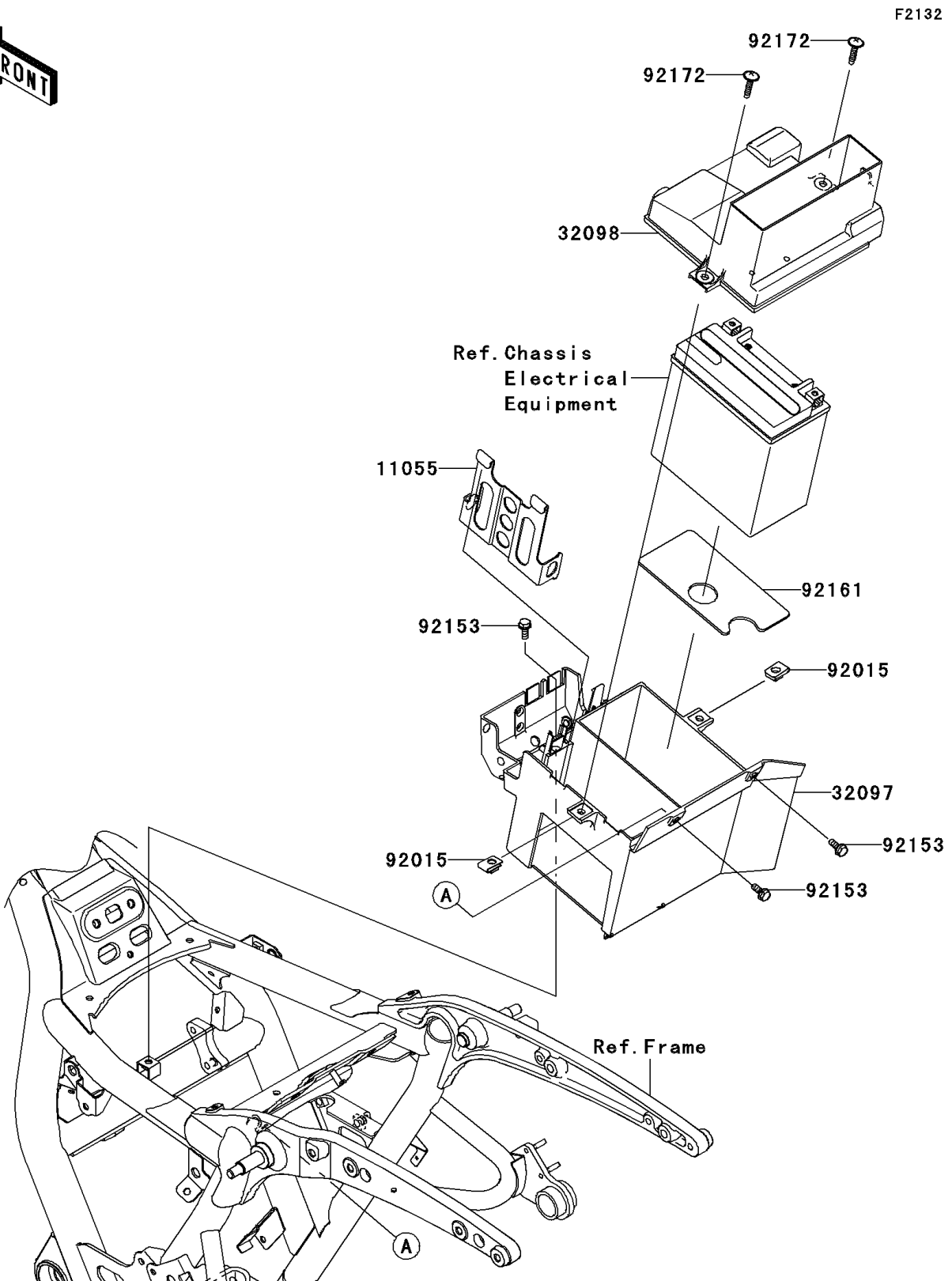


2011 VULCAN® 1700 CLASSIC

PARTS DIAGRAM

Battery Case



2011 VULCAN® 1700 CLASSIC

PARTS LIST

Battery Case

ITEM NAME

PART NUMBER

QUANTITY
