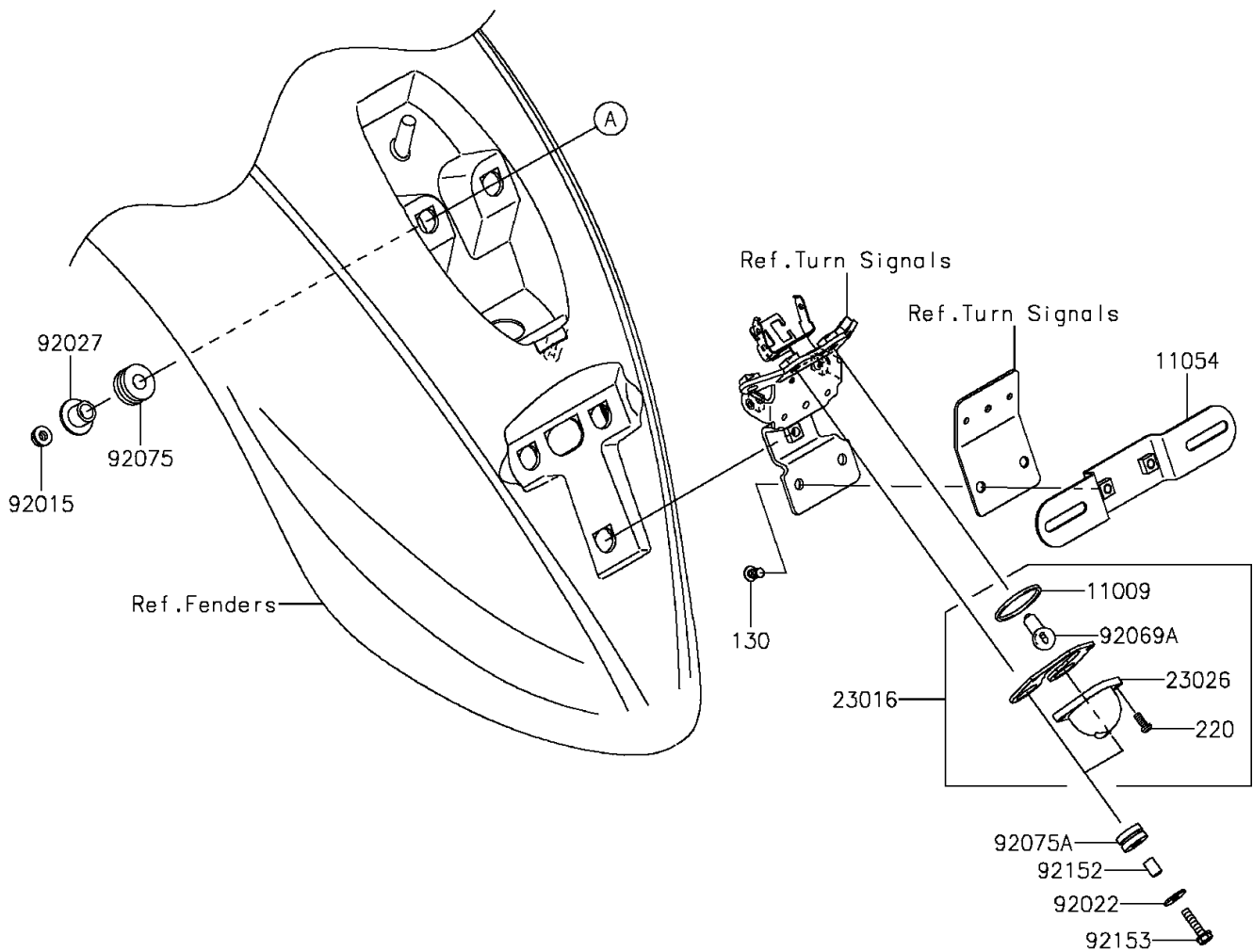
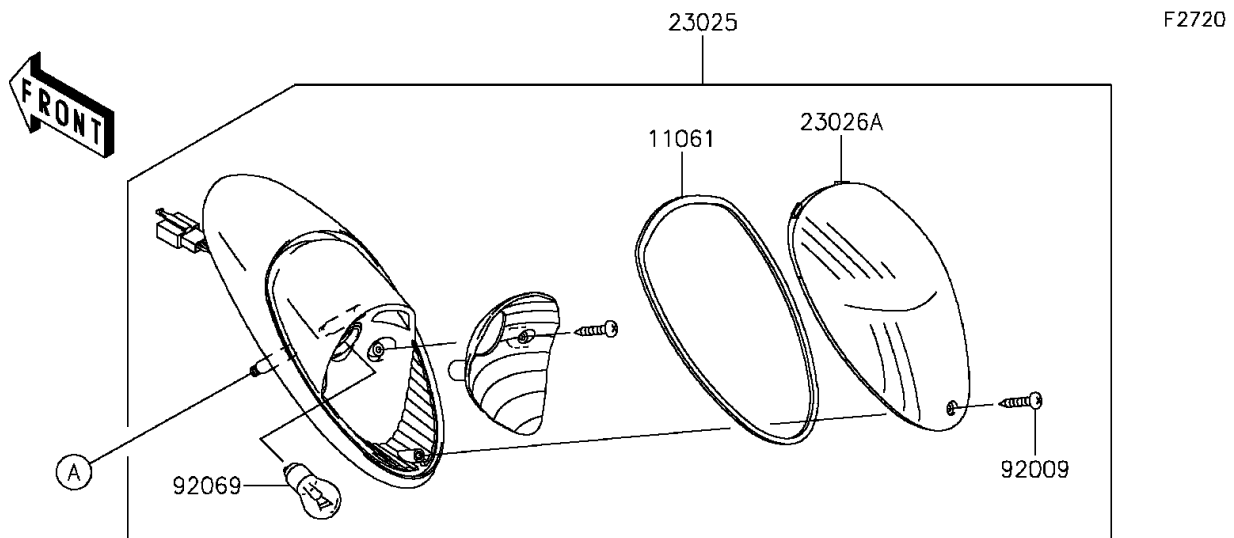


2011 VULCAN® 900 CLASSIC LT

PARTS DIAGRAM

Taillight(s)



2011 VULCAN® 900 CLASSIC LT

PARTS LIST

Taillight(s)

ITEM NAME	PART NUMBER	QUANTITY
-----------	-------------	----------
