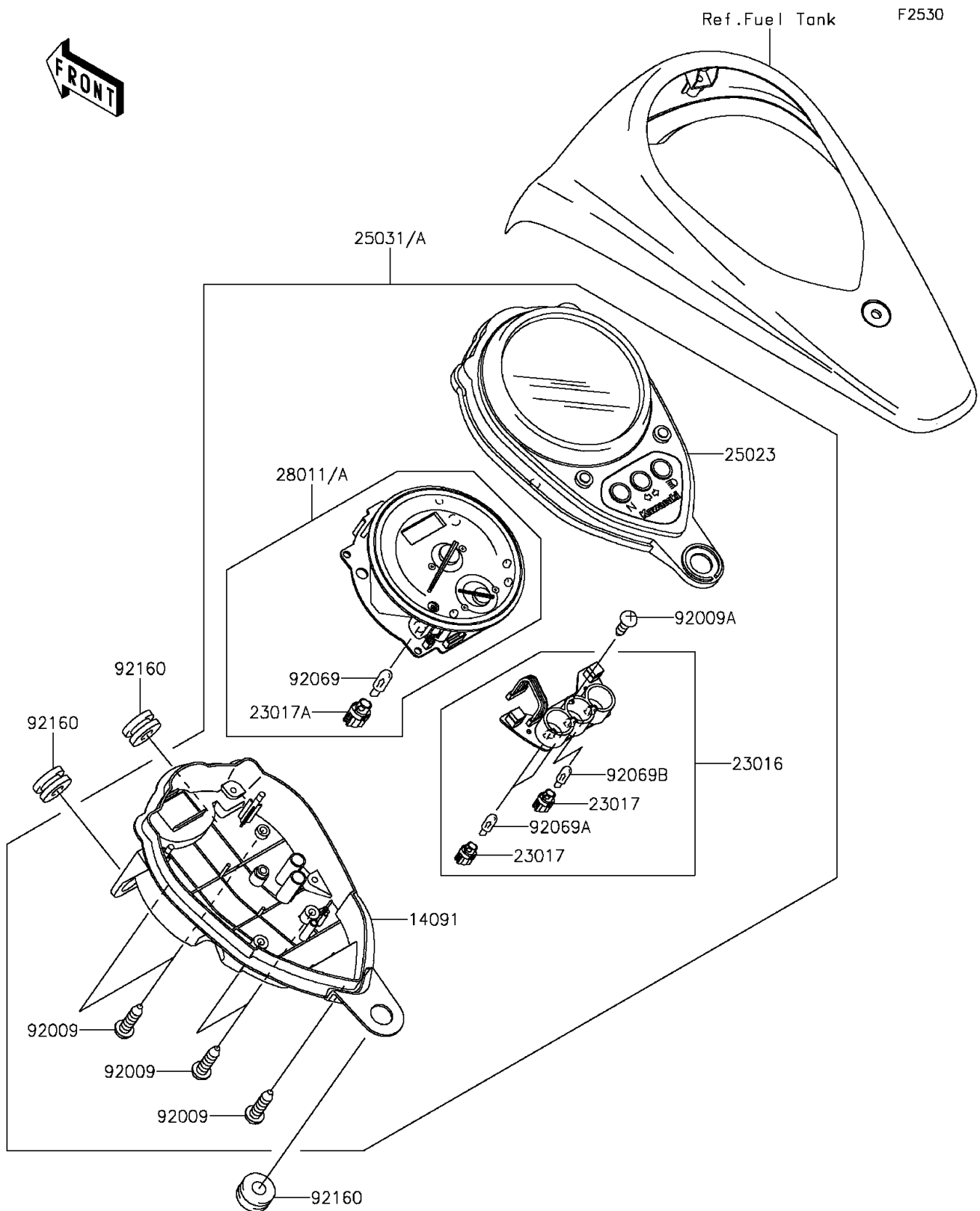


# 2011 VULCAN® 900 CLASSIC LT

## PARTS DIAGRAM

Meter(s)



# 2011 VULCAN® 900 CLASSIC LT

## PARTS LIST

Meter(s)

ITEM NAME	PART NUMBER	QUANTITY
-----------	-------------	----------

---