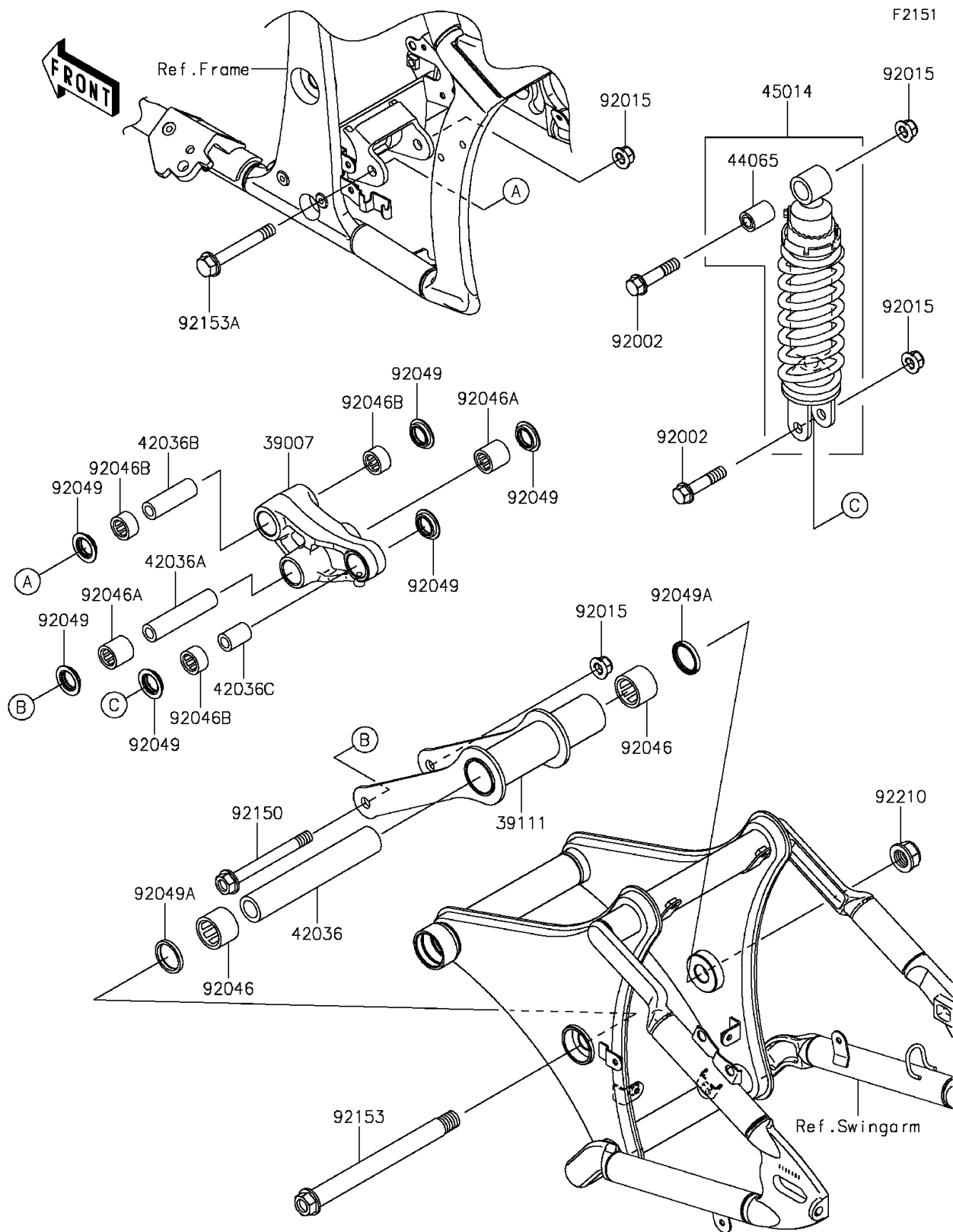


# 2011 VULCAN® 900 CLASSIC LT

## PARTS DIAGRAM

### Suspension/Shock Absorber



# 2011 VULCAN® 900 CLASSIC LT

## PARTS LIST

### Suspension/Shock Absorber

ITEM NAME	PART NUMBER	QUANTITY
-----------	-------------	----------

---