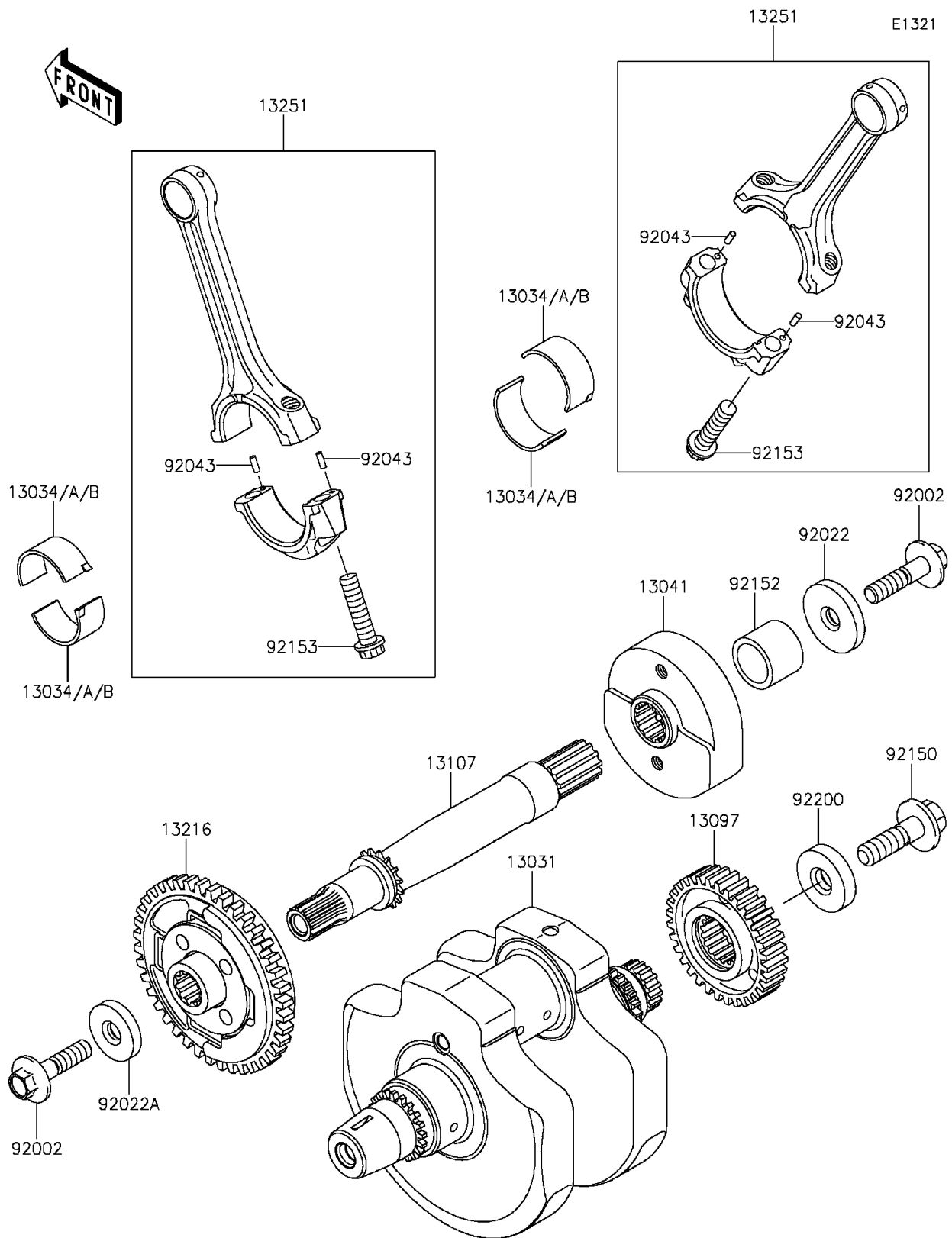


# 2011 VULCAN® 900 CLASSIC LT

## PARTS DIAGRAM

### Crankshaft



# 2011 VULCAN® 900 CLASSIC LT

## PARTS LIST

### Crankshaft

**ITEM NAME**

**PART NUMBER**

**QUANTITY**

---