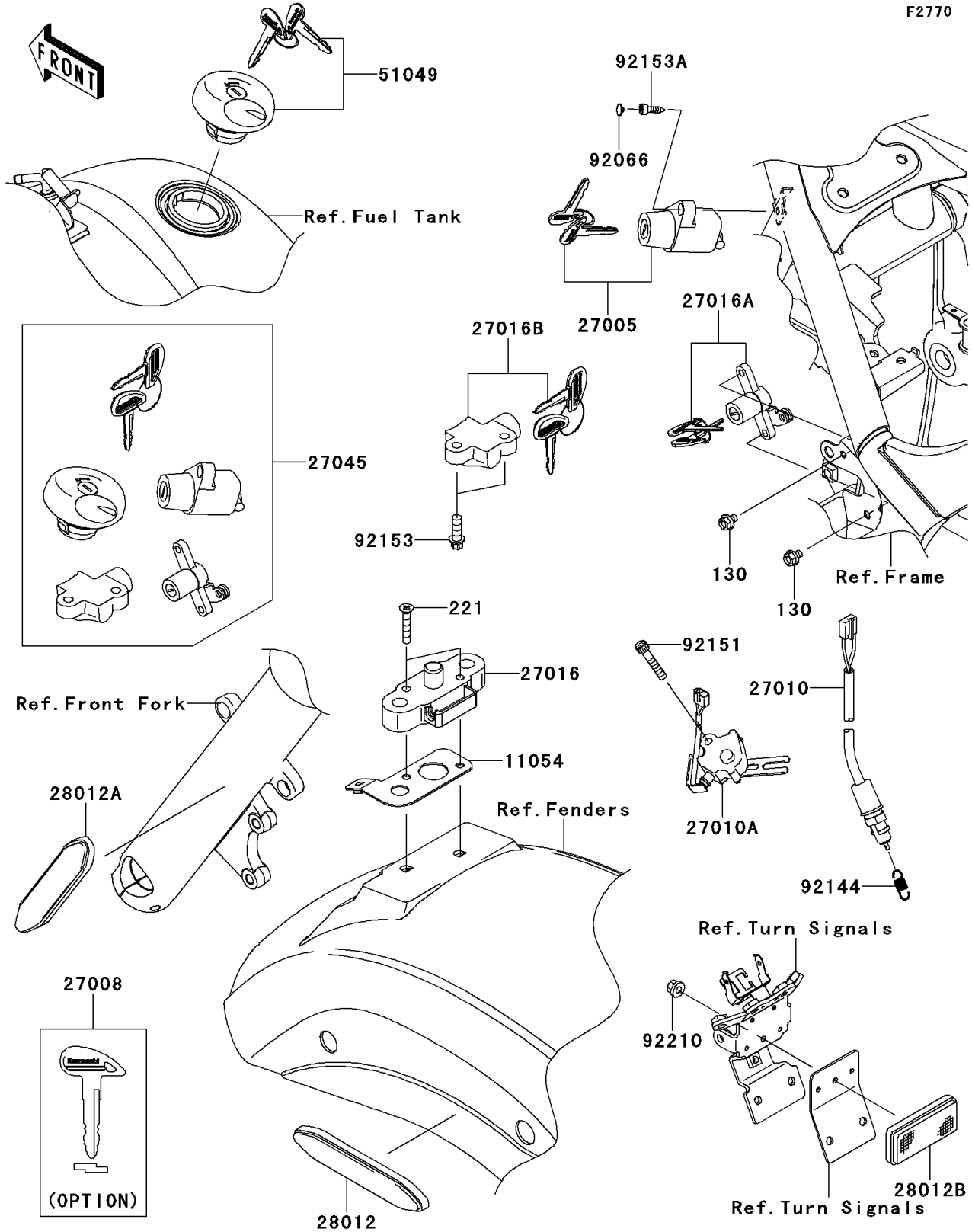


# 2013 VULCAN 900 CLASSIC (Canadian)

## PARTS DIAGRAM

### Ignition Switch/Locks/Reflectors



# 2013 VULCAN 900 CLASSIC (Canadian)



## PARTS LIST

Ignition Switch/Locks/Reflectors

| ITEM NAME | PART NUMBER | QUANTITY |
|-----------|-------------|----------|
|-----------|-------------|----------|

---