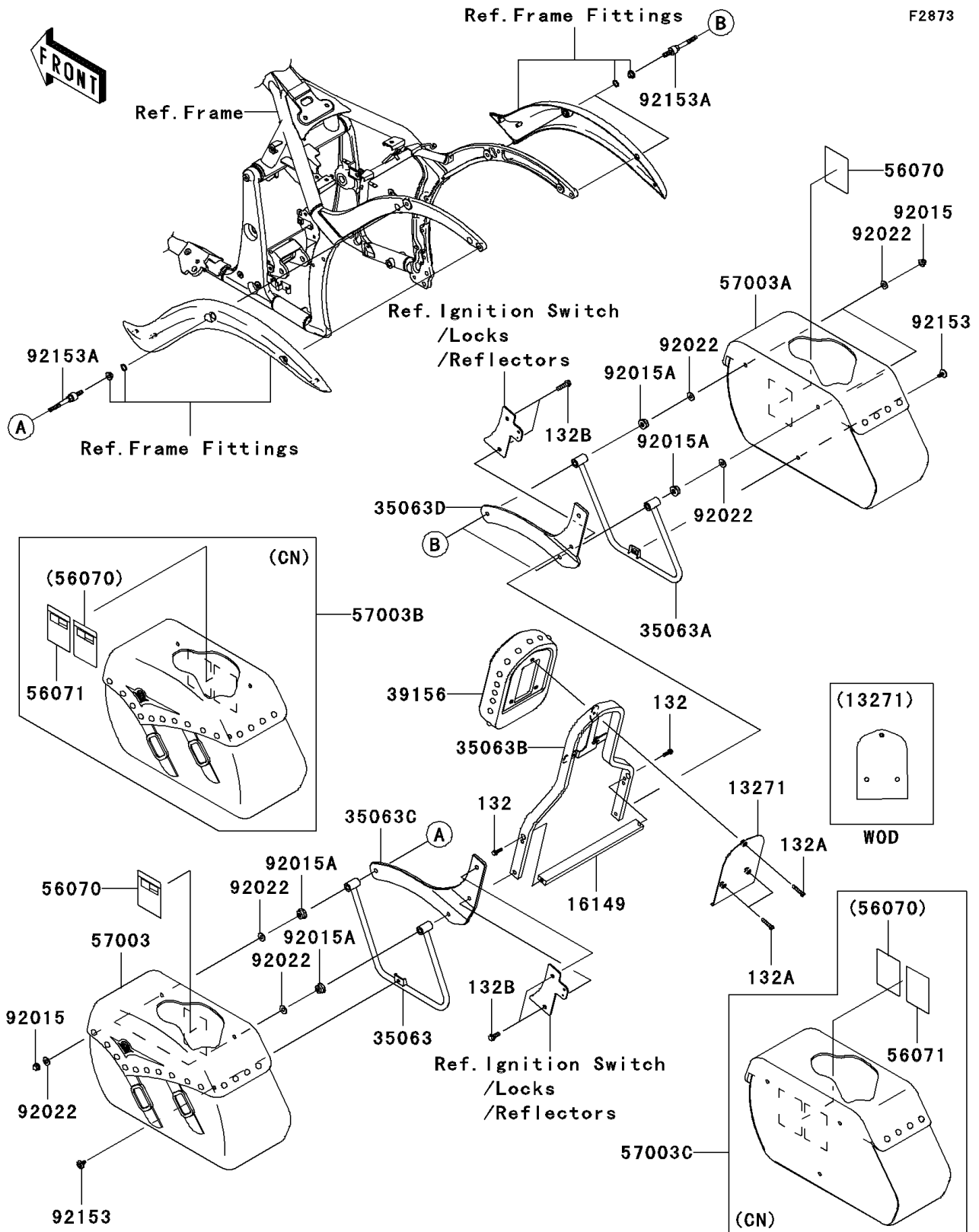


# 2008 Vulcan® 900 Classic LT

## PARTS DIAGRAM

### Saddlebags(D6F-D9F)



# 2008 Vulcan® 900 Classic LT

## PARTS LIST

Saddlebags(D6F-D9F)

**ITEM NAME**

**PART NUMBER**

**QUANTITY**

---