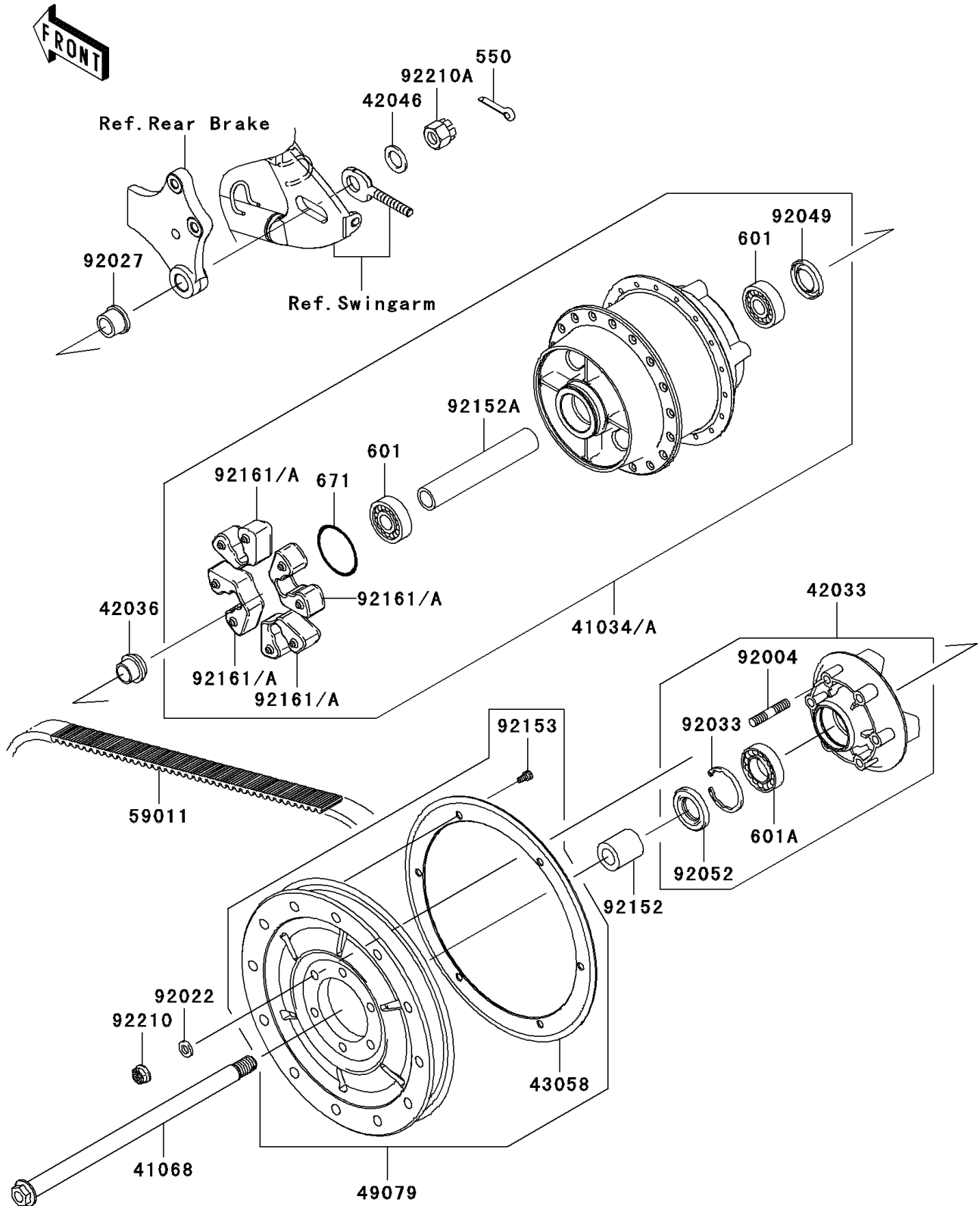


2010 Vulcan® 900 Classic LT

PARTS DIAGRAM

Rear Wheel/Chain

F2240



2010 Vulcan® 900 Classic LT

PARTS LIST

Rear Wheel/Chain

ITEM NAME	PART NUMBER	QUANTITY
-----------	-------------	----------
