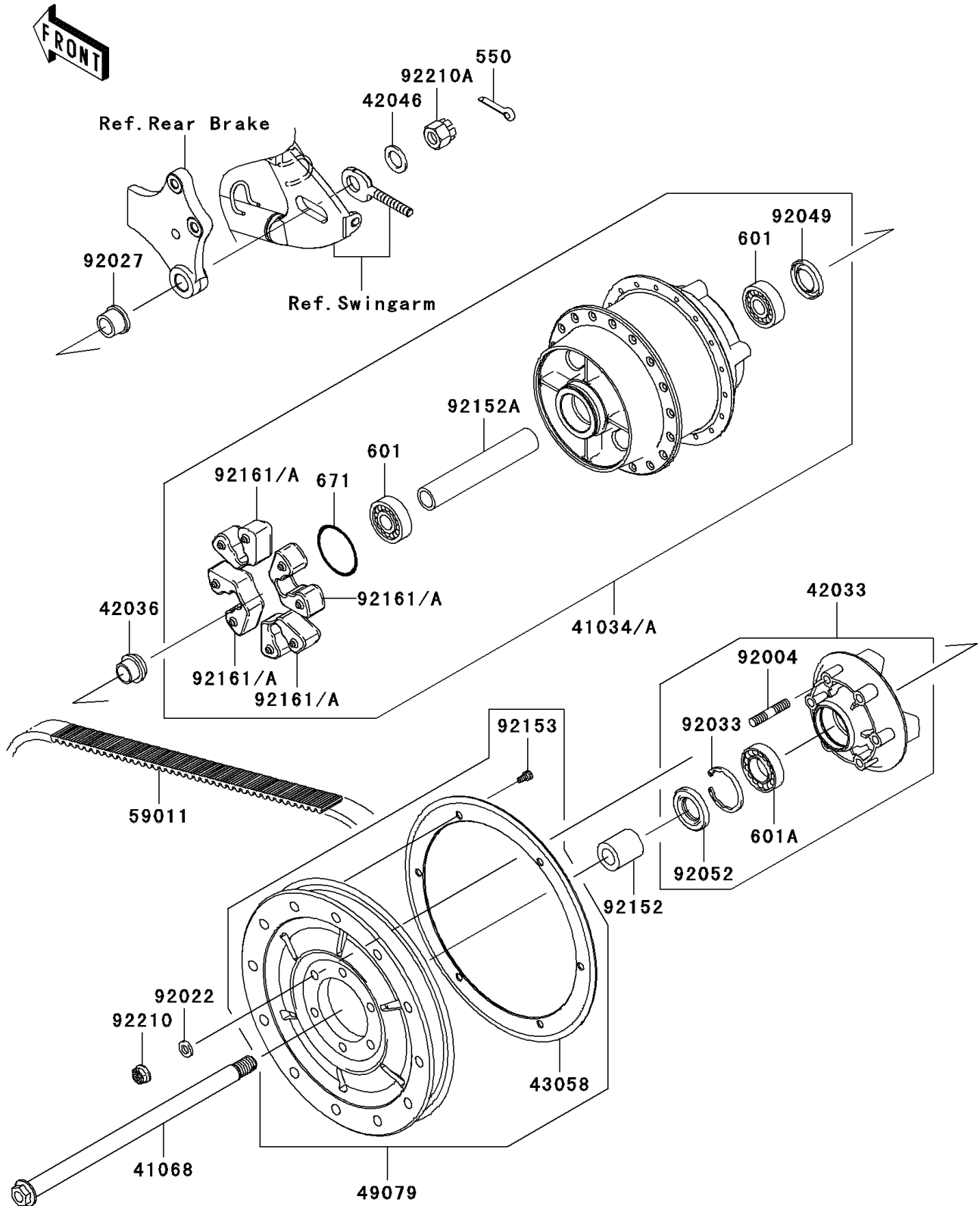


# 2008 Vulcan® 900 Classic LT

## PARTS DIAGRAM

### Rear Wheel/Chain

F2240



# 2008 Vulcan® 900 Classic LT

## PARTS LIST

### Rear Wheel/Chain

ITEM NAME	PART NUMBER	QUANTITY
-----------	-------------	----------

---