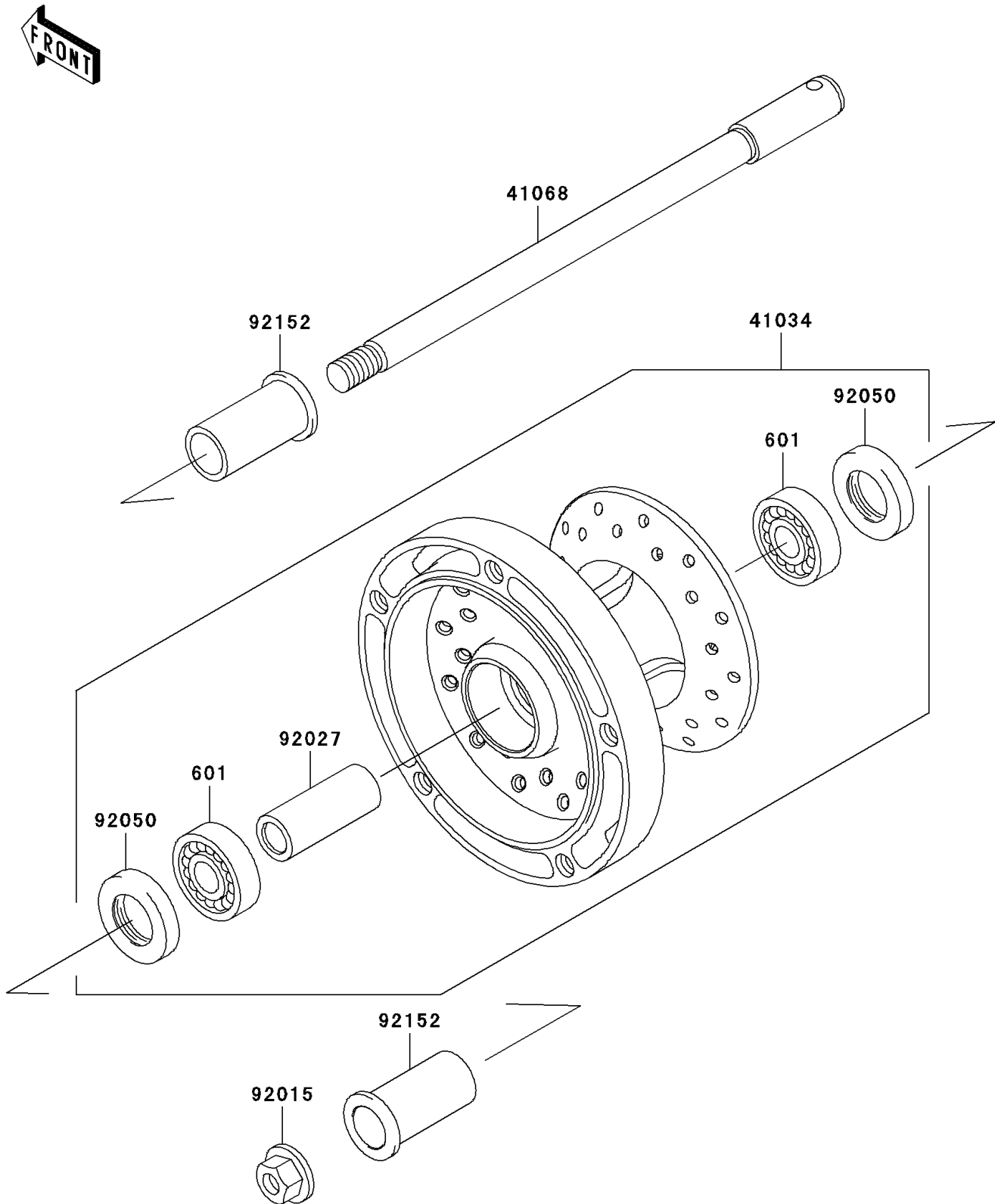


# 2008 Vulcan<sup>®</sup> 900 Classic

## PARTS DIAGRAM

### Front Wheel

F2230



# 2008 Vulcan® 900 Classic

## PARTS LIST

### Front Wheel

**ITEM NAME**

**PART NUMBER**

**QUANTITY**

---