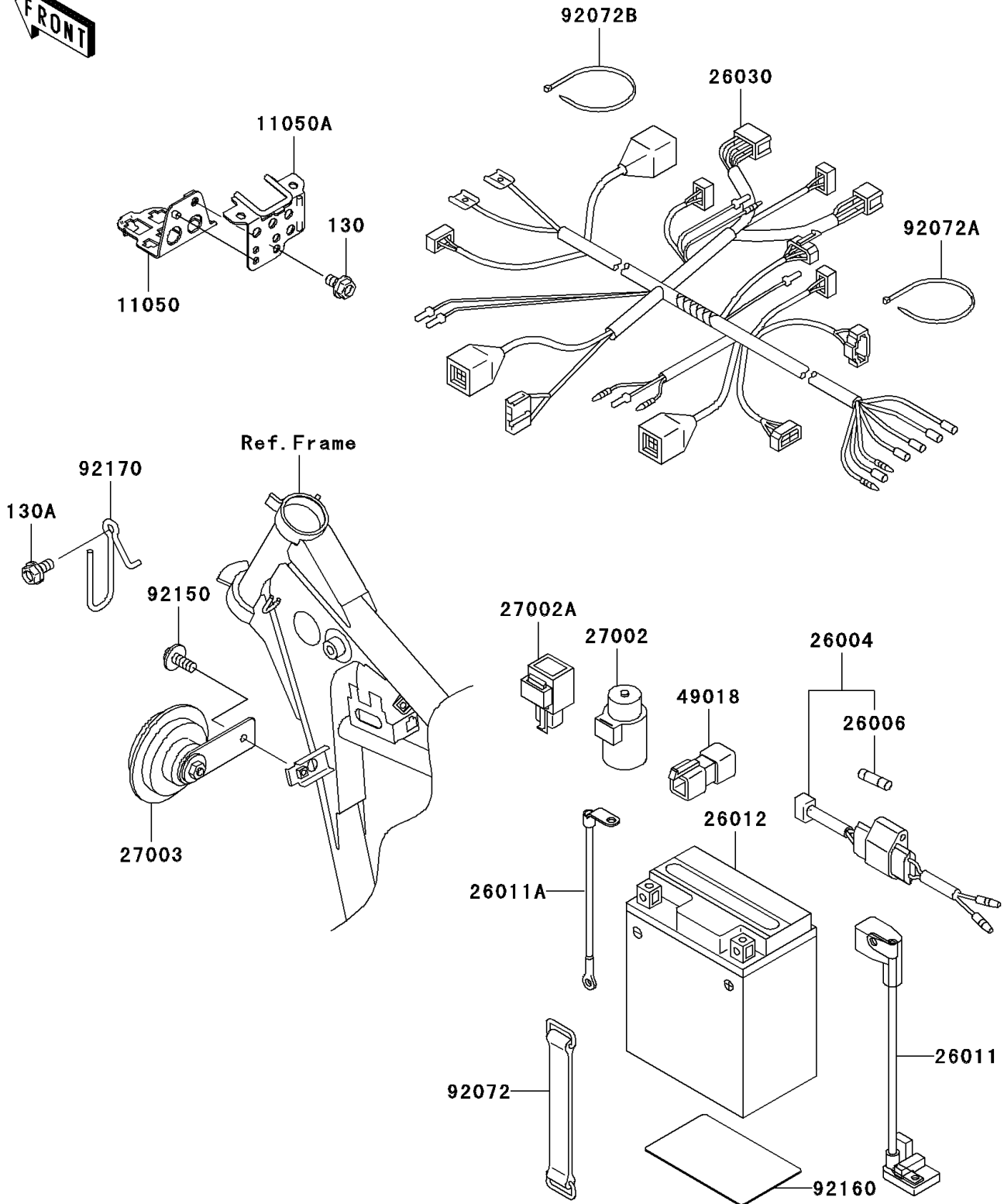


2010 Super Sherpa (Canada Only)

PARTS DIAGRAM

Chassis Electrical Equipment

F2760



2010 Super Sherpa (Canada Only)



PARTS LIST

Chassis Electrical Equipment

ITEM NAME	PART NUMBER	QUANTITY
-----------	-------------	----------
