

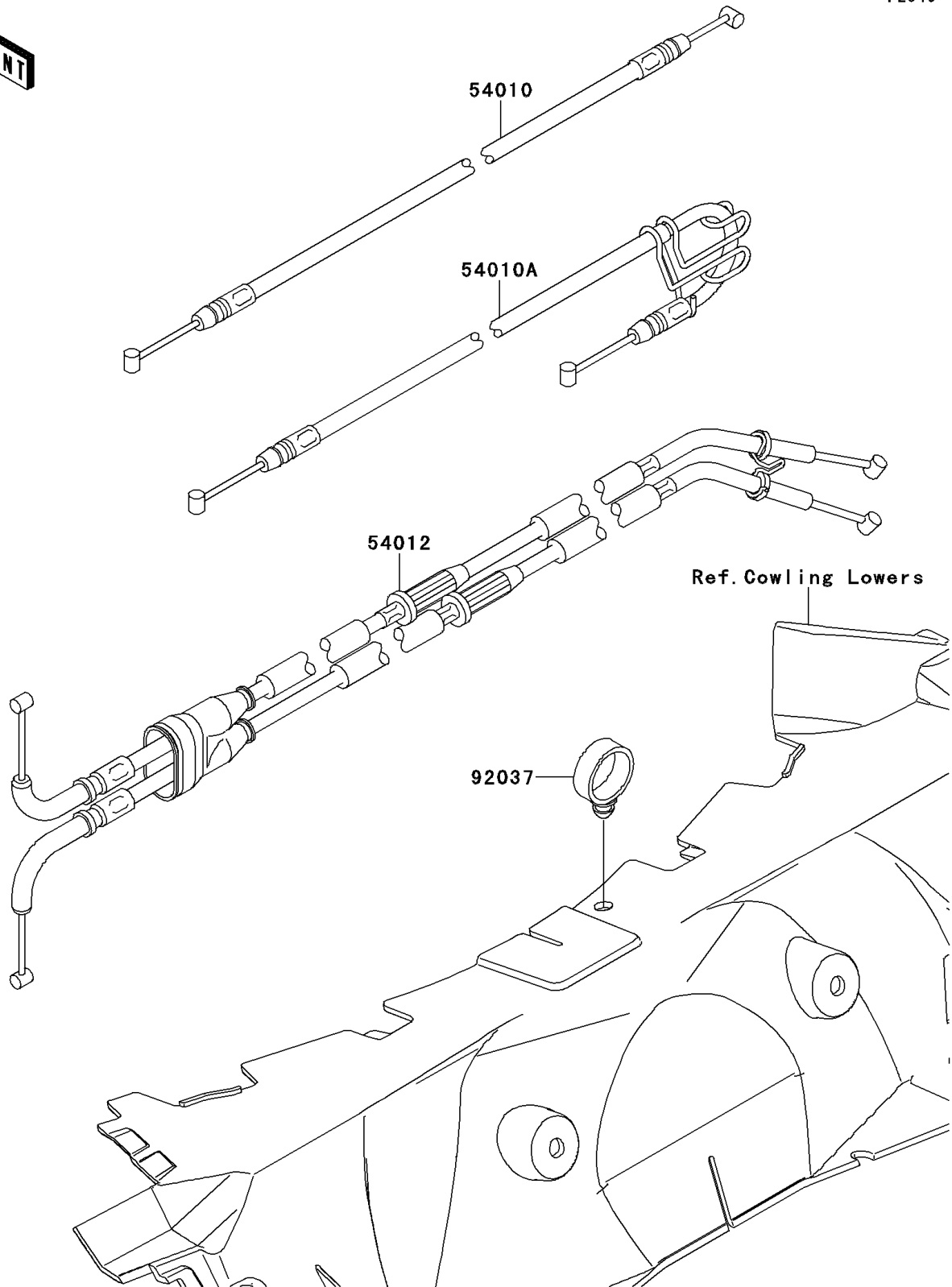
# 2014 NINJA<sup>®</sup> ZX<sup>™</sup>-14R ABS

## PARTS DIAGRAM

### Cables



F2540



# 2014 NINJA® ZX™ -14R ABS

## PARTS LIST

### Cables

**ITEM NAME**

**PART NUMBER**

**QUANTITY**

---