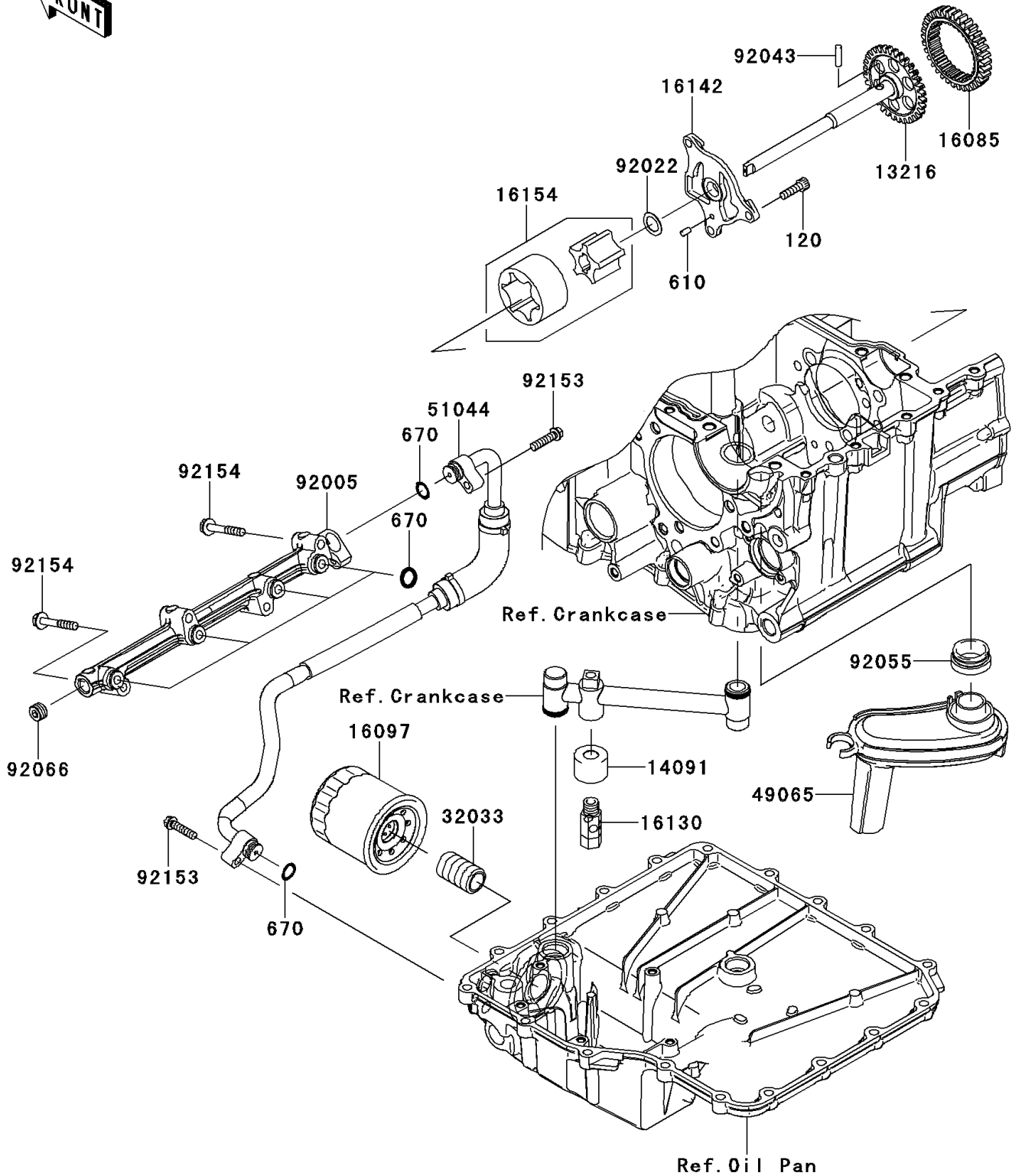


# 2014 NINJA<sup>®</sup> ZX<sup>™</sup>-14R ABS

## PARTS DIAGRAM

### Oil Pump/Oil Filter

E1710



# 2014 NINJA® ZX™ -14R ABS

## PARTS LIST

### Oil Pump/Oil Filter

ITEM NAME	PART NUMBER	QUANTITY
-----------	-------------	----------

---