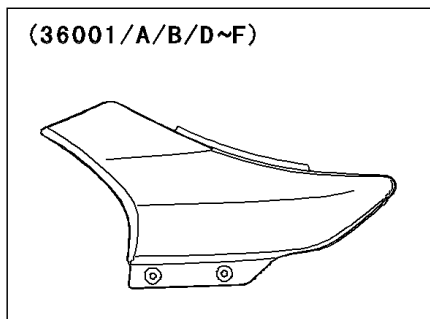
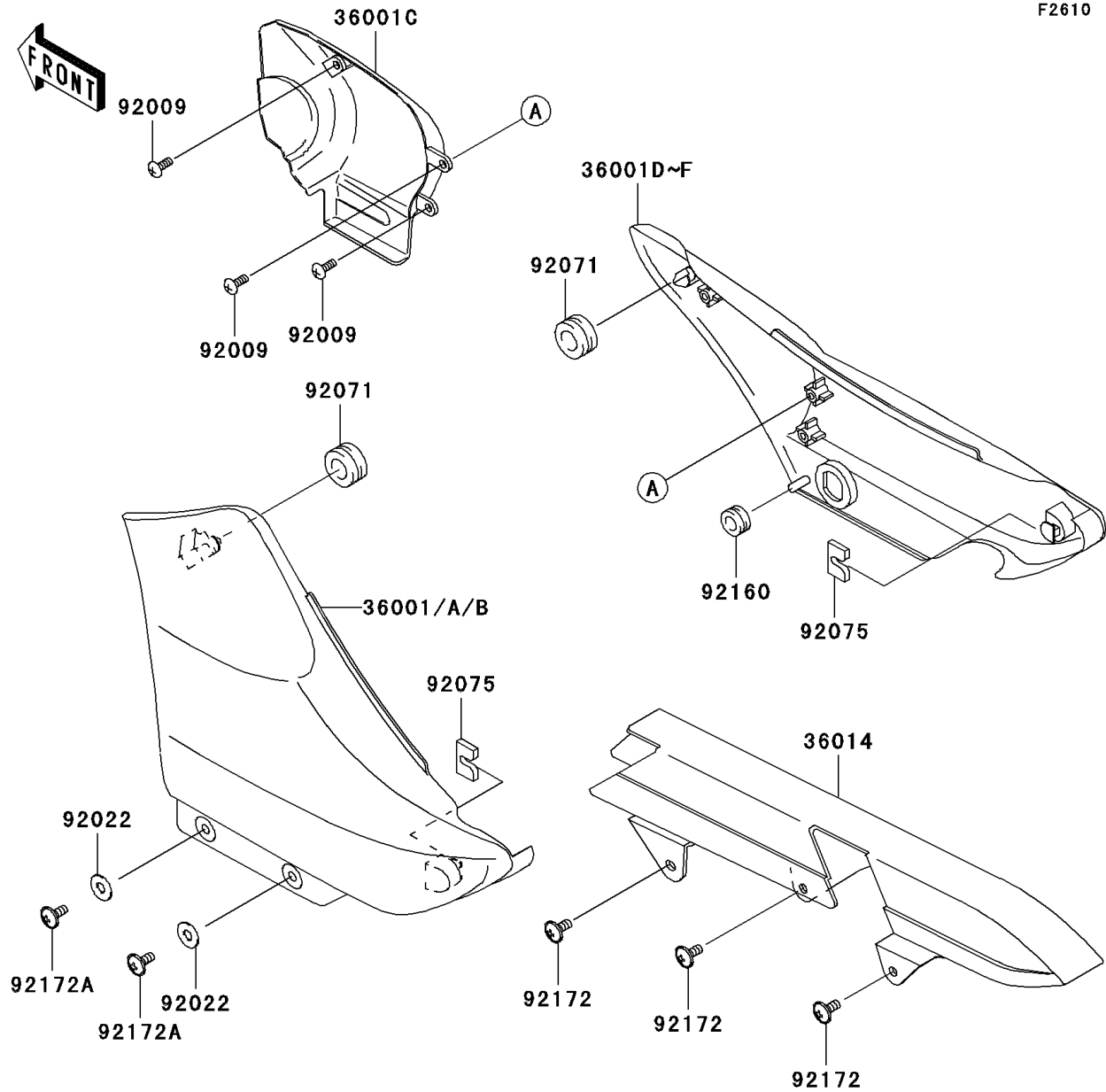


# 2006 Eliminator 125

## PARTS DIAGRAM

### Side Covers/Chain Cover

F2610



WOD

(36001/D)	G. Silver
(36001A/E)	M. P. Silver
(36001B/F)	C. T. Blue

# 2006 Eliminator 125

## PARTS LIST

### Side Covers/Chain Cover

ITEM NAME	PART NUMBER	QUANTITY
COVER-SIDE,LH,C.T.BLUE (Ref # 36001B)	36001-1610-620	1
COVER-SIDE,RH,FR (Ref # 36001C)	36001-1662	1
COVER-SIDE,RH,RR,C.T.BLUE (Ref # 36001F)	36001-1663-620	1
CASE-CHAIN (Ref # 36014)	36014-1228	1
SCREW,TAPPING,5X14 (Ref # 92009)	92009-1197	3
WASHER,6.5X16X1.0 (Ref # 92022)	92022-1654	2
GROMMET (Ref # 92071)	92071-1043	2
DAMPER (Ref # 92075)	92075-1967	2
DAMPER (Ref # 92160)	92160-1891	1
SCREW,6X14 (Ref # 92172)	92172-0004	3
SCREW,6X14 (Ref # 92172A)	92172-1069	2