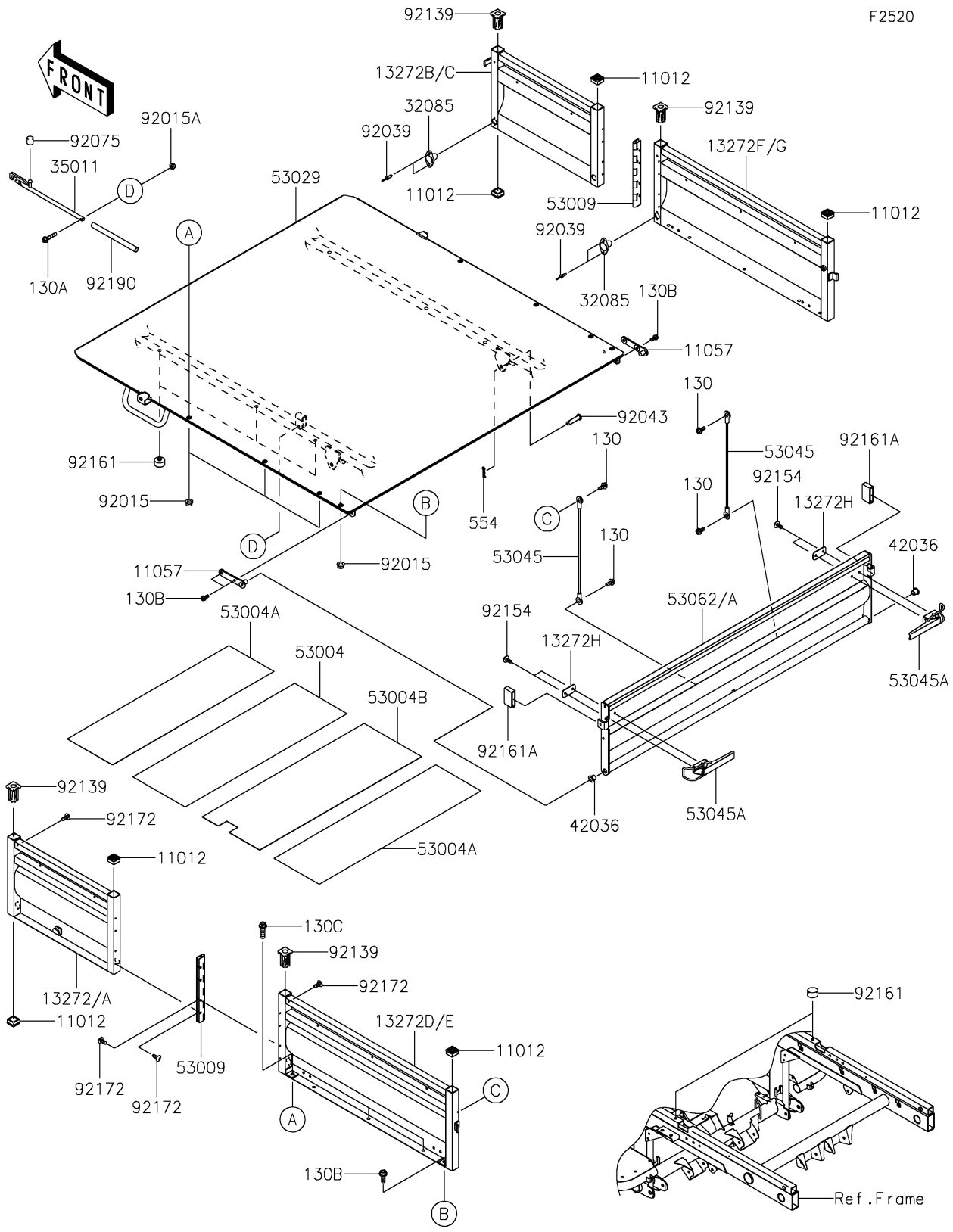


# 2026 MULE™ 4010 TRANS4x4®

## PARTS DIAGRAM

Carrier(s)



# 2026 MULE™ 4010 TRANS4x4®

## PARTS LIST

### Carrier(s)

ITEM NAME	PART NUMBER	QUANTITY
CAP (Ref # 11012)	11012-1784	6
BRACKET, TAIL GATE (Ref # 11057)	11057-1623	2
PLATE, SIDE, FR, LH, D.R. RED (Ref # 13272)	13272-2896-16M	1
PLATE, SIDE, FR, LH, T. GREEN (Ref # 13272A)	13272-2896-42T	1
PLATE, SIDE, FR, RH, D.R. RED (Ref # 13272B)	13272-2897-16M	1
PLATE, SIDE, FR, RH, T. GREEN (Ref # 13272C)	13272-2897-42T	1
PLATE, SIDE, RR, LH, D.R. RED (Ref # 13272D)	13272-2898-16M	1
PLATE, SIDE, RR, LH, T. GREEN (Ref # 13272E)	13272-2898-42T	1
PLATE, SIDE, RR, RH, D.R. RED (Ref # 13272F)	13272-2899-16M	1
PLATE, SIDE, RR, RH, T. GREEN (Ref # 13272G)	13272-2899-42T	1
PLATE (Ref # 13272H)	13272-7516	2
STOPPER (Ref # 32085)	32085-7501	4
STAY, CARRIER STOPPER (Ref # 35011)	35011-1648	1
SLEEVE (Ref # 42036)	42036-0839	2
MAT, CARRIER (Ref # 53004)	53004-0639	1
MAT, CARRIER (Ref # 53004A)	53004-0640	2
MAT, CARRIER (Ref # 53004B)	53004-0641	1
HINGE (Ref # 53009)	53009-0031	2
CARRIER, BASE PLATE, BLACK (Ref # 53029)	53029-0416-10	1
HOOK-ASSY, CABLE (Ref # 53045)	53045-0030	2
HOOK-ASSY (Ref # 53045A)	53045-0033	2
GATE-TAIL, D.R. RED (Ref # 53062)	53062-0029-16M	1
GATE-TAIL, T. GREEN (Ref # 53062A)	53062-0029-42T	1
NUT, FLANGED, 8MM (Ref # 92015)	92015-1014	8
NUT, LOCK, FLANGED, 6MM (Ref # 92015A)	92015-1675	1
RIVET (Ref # 92039)	92039-1150	8
PIN, 12X65 (Ref # 92043)	92043-1428	2
DAMPER (Ref # 92075)	92075-1817	1
BUSHING, REAR SCREEN (Ref # 92139)	92139-7501	4

# 2026 MULE™ 4010 TRANS4x4®

## PARTS LIST

Carrier(s)

**Kawasaki**  
Let the Good Times Roll®

ITEM NAME	PART NUMBER	QUANTITY
BOLT,SOCKET,6X14 (Ref # 92154)	92154-4238	4
DAMPER (Ref # 92161)	92161-7510	8
DAMPER (Ref # 92161A)	92161-7519	2
SCREW,TAPPING,6X16 (Ref # 92172)	92172-0739	20
TUBE,13X16X200 (Ref # 92190)	92190-1401	1
BOLT-FLANGED,6X10 (Ref # 130)	130BA0610	4
BOLT-FLANGED,6X30 (Ref # 130A)	130BA0630	1
BOLT-FLANGED,8X20 (Ref # 130B)	130BA0820	6
BOLT-FLANGED,8X30 (Ref # 130C)	130BA0830	6
PIN-SNAP,12MM (Ref # 554)	554DA1200	2