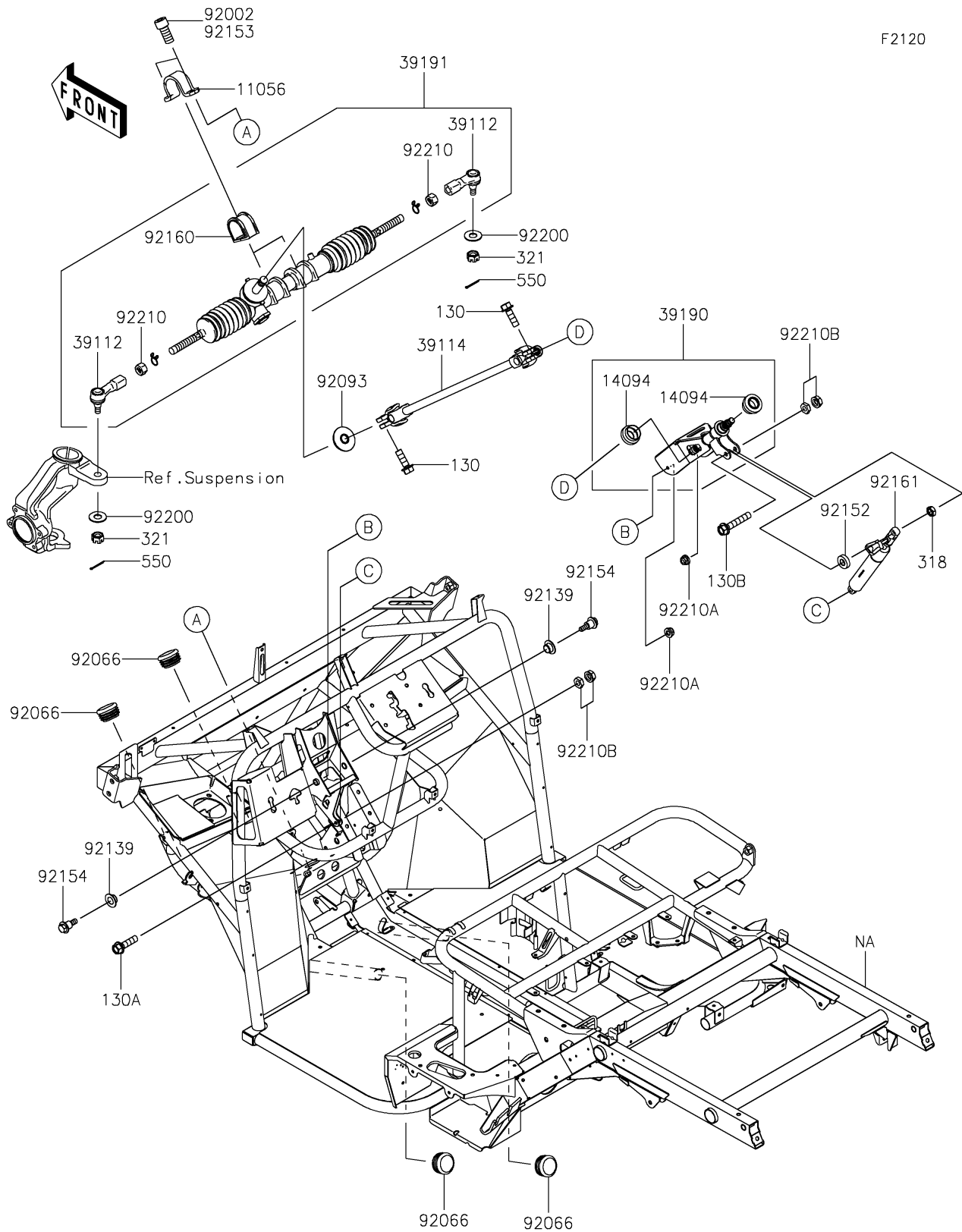


# 2026 MULE SX™ 4x4 XC LE

## PARTS DIAGRAM

### Frame



# 2026 MULE SX™ 4x4 XC LE

## PARTS LIST

### Frame

| ITEM NAME                              | PART NUMBER | QUANTITY |
|--|-------------|----------|
| BRACKET,STEERING GEAR (Ref # 11056)    | 11056-2238  | 2        |
| COVER,STEERING SHAFT (Ref # 14094)     | 14094-0322  | 2        |
| RODEND-TIE,STEERING GEAR (Ref # 39112) | 39112-0008  | 2        |
| SHAFT-COMP-STRG (Ref # 39114)          | 39114-0022  | 1        |
| SHAFT-ASSY-STEERING (Ref # 39190)      | 39190-0022  | 1        |
| GEAR-ASSY-STEERING (Ref # 39191)       | 39191-0023  | 1        |
| BOLT,SOCKET,10X17 (Ref # 92002)        | 92002-1713  | 4        |
| PLUG (Ref # 92066)                     | 92066-0036  | 4        |
| SEAL (Ref # 92093)                     | 92093-1313  | 1        |
| BUSHING (Ref # 92139)                  | 92139-0230  | 2        |
| COLLAR,8.2X18X5 (Ref # 92152)          | 92152-1848  | 1        |
| BOLT,6X21.5 (Ref # 92154)              | 92154-1320  | 2        |
| DAMPER,STEERING GEAR (Ref # 92160)     | 92160-1084  | 2        |
| DAMPER,GAS SPRING (Ref # 92161)        | 92161-1825  | 1        |
| WASHER,10.3X23X1.6 (Ref # 92200)       | 92200-2009  | 2        |
| NUT,14MM (Ref # 92210)                 | 92210-0217  | 2        |
| NUT,LOCK,FLANGED,6MM (Ref # 92210A)    | 92210-0303  | 2        |
| NUT,HARD LOCK,8MM (Ref # 92210B)       | 92210-0934  | 2        |
| BOLT-FLANGED,8X25 (Ref # 130)          | 130BA0825   | 2        |
| BOLT-FLANGED,8X30 (Ref # 130A)         | 130CA0830   | 1        |
| BOLT-FLANGED,8X45 (Ref # 130B)         | 130CA0845   | 1        |
| NUT-HEX-SMALL,8MM (Ref # 318)          | 318BA0800   | 1        |
| NUT-CASTLE (Ref # 321)                 | 321BA1000   | 2        |
| PIN-COTTER,2.0X22 (Ref # 550)          | 550AA2022   | 2        |