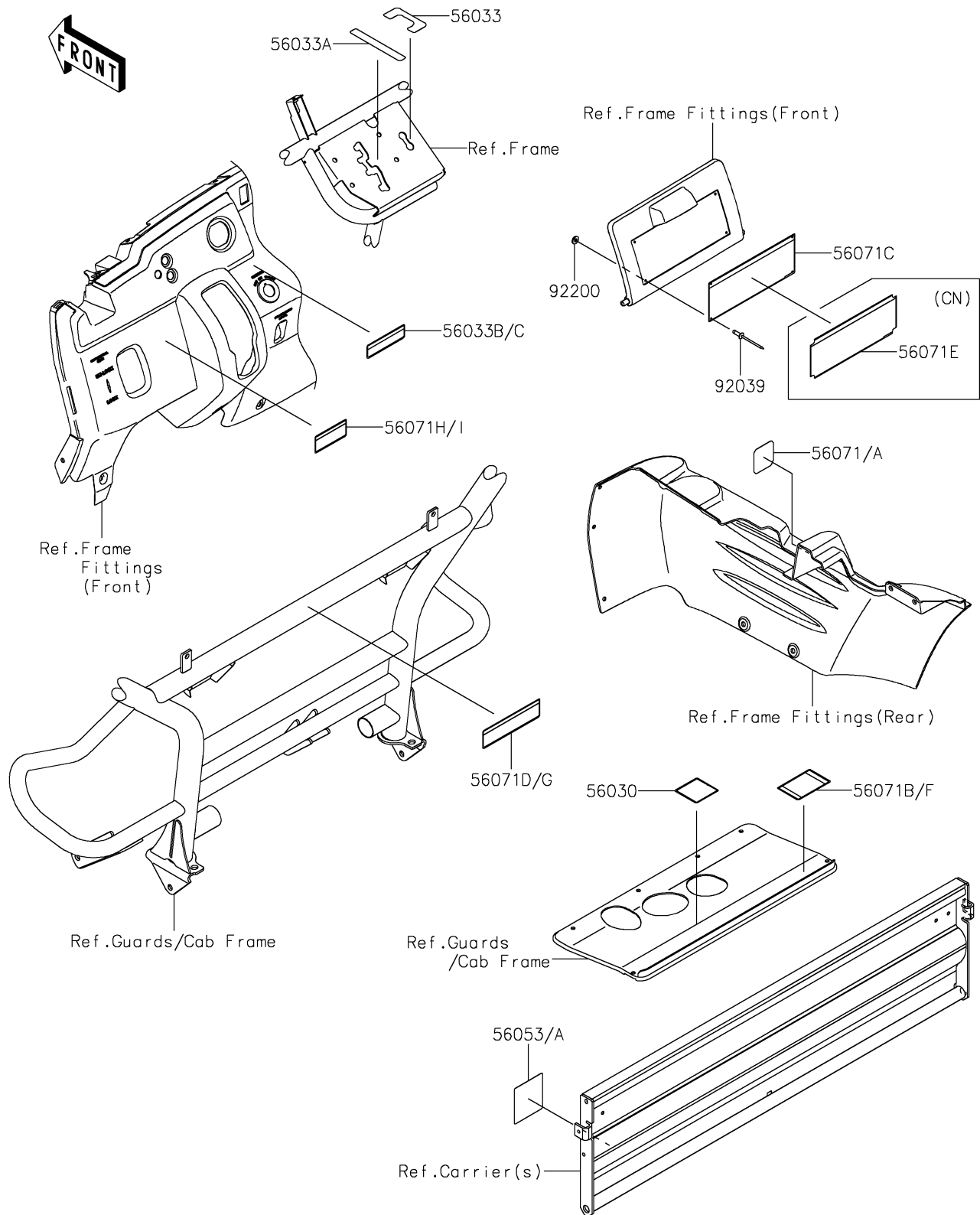


2026 MULE SX™ 4x4 XC

PARTS DIAGRAM

Labels

F2860



2026 MULE SX™ 4x4 XC

PARTS LIST

Labels



ITEM NAME

PART NUMBER

QUANTITY
