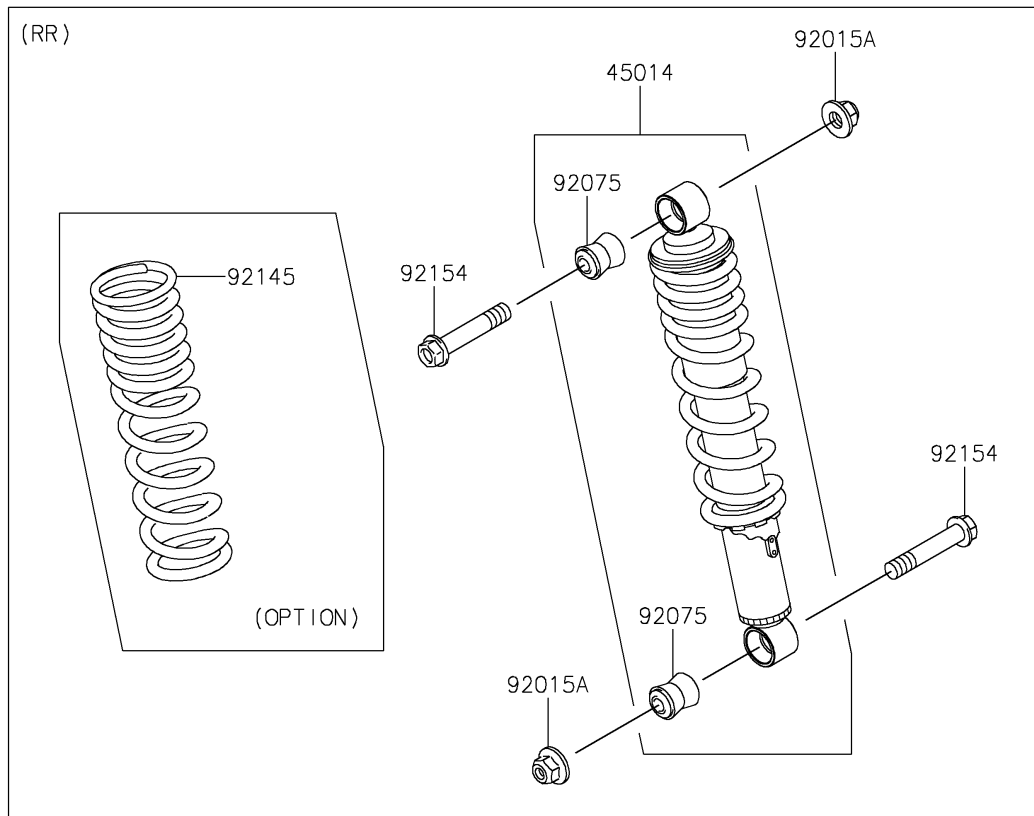
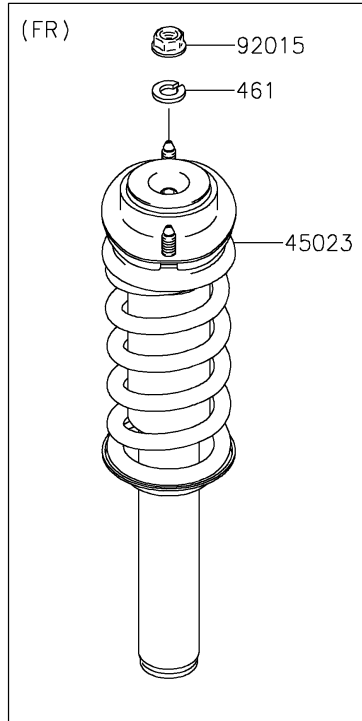


2026 MULE SX™ 4x4 XC

PARTS DIAGRAM

Shock Absorber(s)

F2280



2026 MULE SX™ 4x4 XC

PARTS LIST

Shock Absorber(s)

ITEM NAME	PART NUMBER	QUANTITY
-----------	-------------	----------
